

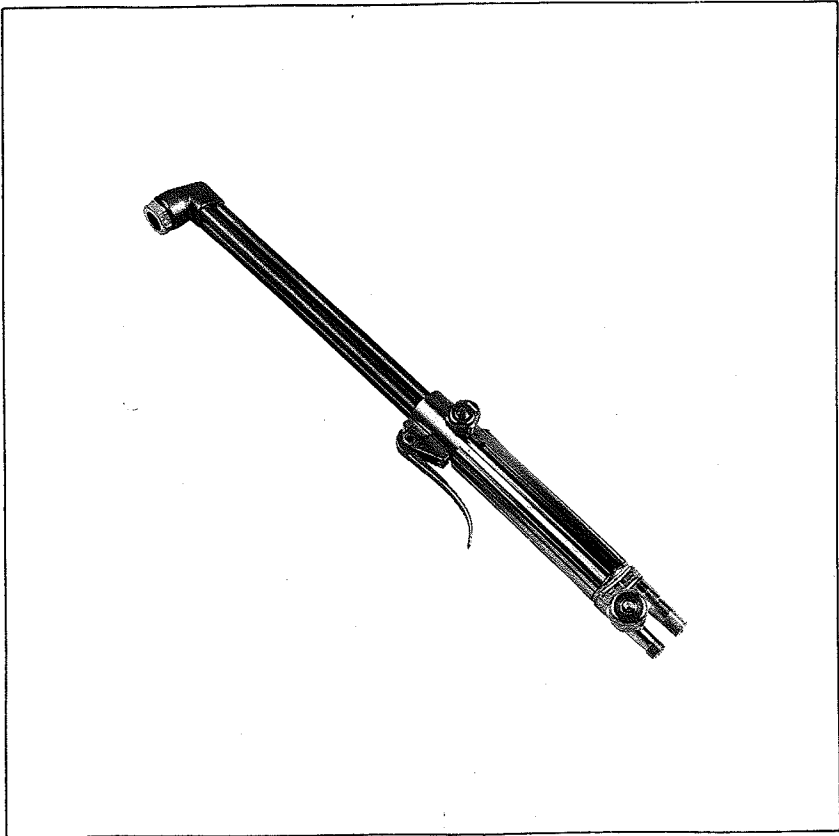


ADI 2009F

CUTTING TORCHES

9000 9500 9700

SERIES



PARTS



This symbol on the product means the product is listed by Underwriters Laboratories, Inc.

JULY 1996
SUPERSEDES MARCH 1994

1000



USER RESPONSIBILITY

This equipment will perform in conformity with the description thereof contained in this manual and accompanying labels and/or inserts when installed, operated, maintained and repaired in accordance with the instructions provided. This equipment must be checked periodically. Defective equipment should not be used. Parts that are broken, missing, plainly worn, distorted or contaminated, should be replaced immediately. Should such repair or replacement become necessary, it is recommended that a telephonic or written request for service advice be made to the Authorized Distributor from whom the equipment was purchased.

This equipment or any of its parts should not be altered without the prior written approval of Controls Corporation of America (CONCOA). The user of this equipment shall have the sole responsibility for any malfunction which results from improper use, faulty maintenance, damage, improper repair or alteration by anyone other than Controls Corporation of America (CONCOA) or a service facility designated by Controls Corporation of America (CONCOA).

REPLACEMENT PARTS

The following illustration of the equipment identifies each part by stock number, description, and quantity used if more than one.

CUSTOMER ASSISTANCE

In the event of equipment failure, call the CONCOA Customer Assistance Line: 1-800-225-0473. Please be prepared to provide the model number and serial number of the equipment involved, in addition to some details regarding its application.

ORDERING

To assure proper operation, use only genuine CONCOA parts and products with this equipment. To order replacement parts:

- a. Give the stock number, part description, and quantity of each part required.
- b. Give the stock number and description of equipment on which parts are to be used.
- c. Indicate any special shipping instructions.

Check Valves prevent the reverse flow of mixed gases. Regulator Check Valves 'B' size 830 4199 Oxy., 830 4200 Fuel. Torch Check Valves 'B' size 831 4146 Oxy., 831 4138 Fuel.

FOR MAXIMUM SAFETY USE FLASHBACK ARRESTORS

REGULATOR MOUNTED MODEL-78 RESETTABLE	REGULATOR MOUNTED MODEL 53	TORCH MOUNTED MODEL 460
801 0786 "B" Size for Oxygen	801 0536 "B" Size for Oxygen	801 1466 "B" Size for Oxygen
801 0789 "B" Size for Fuel Gas	801 0539 "B" Size for Fuel Gas	801 1469 "B" Size for Fuel Gas
UL LISTED — MEETS OSHA REQUIREMENTS — COMPLY WITH ISO 5175		

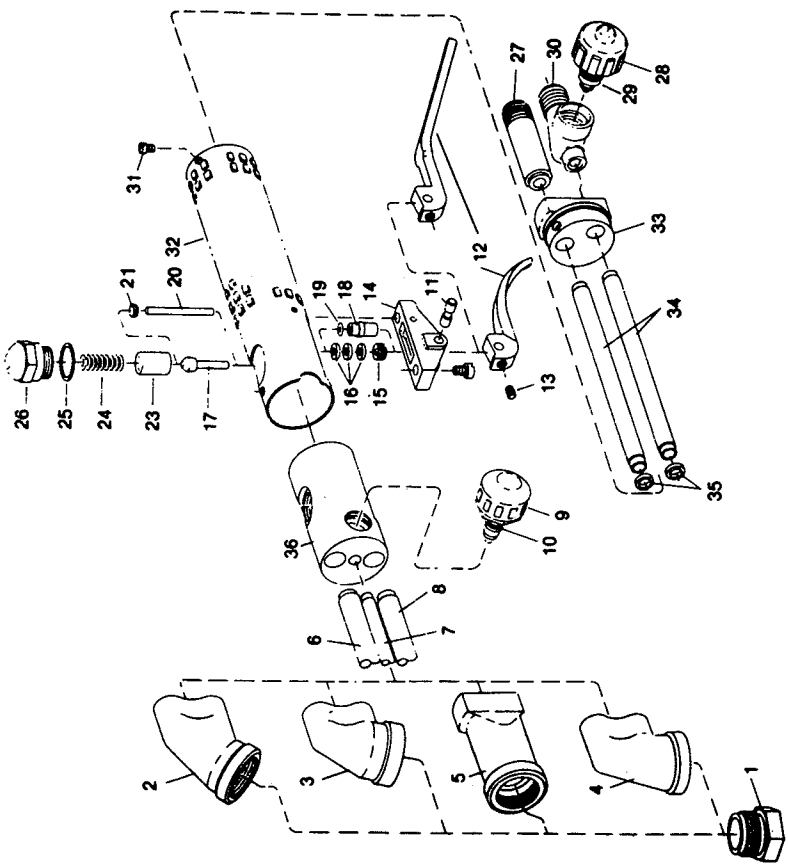


Figure 2. 9000 Series Cutting Torch

Item #	Description (Figure 2)	822 9063 ..	822 9065 ..	822 9066 ..	822 9070 ..	822 9080 ..	0822 9085 1622 9085	822 9086 1622 9086
1	Nut, Tip	831 2259	831 2259	831 2259	831 2259	831 2259	831 2259	831 2259
2	Head, Torch 45°	831 8036	none	none	none	none	none	none
3	Head, Torch 75°	none	831 8034	none	none	none	none	831 0403
4	Head, Torch 90°	none	none	831 8035	none	none	831 0402	none
5	Head Torch Straight	none	none	none	831 8037	831 0741	none	none
6	Tube Oxygen	831 1889	831 0410	831 0410	831 1888	831 0410	831 0410	831 0410
7	Preheat Oxygen	831 8007	831 0411	831 0411	831 1888	831 0411	831 0411	831 0411
8	Tube Acetylene	831 0410	831 0410	831 0410	831 1887	831 0410	831 0410	831 0410
9	Preheat Oxygen Valve	831 9068	831 2273	831 0410	831 9068	831 9068	831 2273	831 2273
10	Packing	9925 0002	831 2255	831 2255	9925 0002	9925 0002	831 2255	831 2255
11	Pin, Trigger/Roll Pin 3/16Dx5/8	831 2266	9202 9712	9202 9712	831 2266	831 2266	9202 9712	9202 9712
12	ESNA 79-CHO-187-0625							
13	Handle, Lever	831 8067	831 2354	831 2354	831 0521	831 8067	831 2354	831 2354
14	Setscrew, Fl Pl. 6-32x3/8 Nylock	9204 7905	9204 9690	9204 9690	9204 9690	9204 7905	9204 9690	9204 9690
15	Yoke	831 8062	831 2268	831 2268	831 8062	831 8062	831 2268	831 2268
16	Yoke Screw	9204 0475	9204 0491	9204 0491	9204 0475	9204 0475	9204 0491	9204 0491
17	Nut, Packing	831 0368	none	none	831 0368	831 0368	none	none
18	Packing (2)	831 0367	none	none	831 0367	831 0367	none	none
19	Trigger Valve Stem	831 0452	none	none	831 0452	831 0452	none	none
20	Bushing, Lift Pin	none	831 2283	831 2283	none	831 2283	831 2283	831 2283
21	'O' Ring	none	831 1316	831 1316	none	831 1316	831 1316	831 1316
22	Pin, Lift	none	831 2274	831 2274	none	831 2274	831 2274	831 2274
23	Extension, Seat Holder	none	831 2290	831 2290	none	831 2290	831 2290	831 2290
24	NOT USED							
25	Trigger Valve	831 0850	831 0850	831 0850	831 0850	831 0850	831 0850	831 0850
26	Spring, Trigger Valve	831 8030	831 8030	831 8030	831 8030	831 8030	831 0830	831 0830
27	Packing, Trigger Valve	831 8255	831 2909	831 2909	831 8255	831 8255	831 2909	831 2909
28	Cap, Trigger Valve	831 2282	832 2282	831 2282	831 2282	831 2282	831 2282	831 2282
29	Nipple, Oxygen	831 1294	831 1294	831 1294	831 1294	831 1294	831 1294	831 1294
30	Valve Stem Assembly* (incl. item 29)	831 7730	831 7730	831 7730	831 7730	831 7730	831 7730	831 7730
31	'O' Ring*	831 7737	831 7737	831 7737	831 7737	831 7737	831 7737	831 7737
32	Body, Fuel Valve	831 5503	831 5503	831 5503	831 5503	831 5503	831 5503	831 5503
33	Screw 4-40x1/8 SS (4)	9204 2800	9204 2800	9204 2800	9204 2800	9204 2800	9204 2800	9204 2800
34	Handle, Torch	831 9011	831 2281	831 2281	831 9011	831 9011	831 2281	831 2281
35	End, Rear	831 1420	831 2270	831 2270	831 1420	831 1420	831 2270	831 2270
36	Spacer (2)	831 1423	831 2278	831 2278	831 1423	831 1423	831 2278	831 2278
37	End, Front	2360 4768	none	none	2360 4768	2360 4768	none	none
38		831 9008	831 2869	831 2869	831 9008	831 9008	831 2869	831 2869

Numbers in () indicate quantities if more than one.

† 1822, 9085 & 9086 use handle 831 4163

* Apply FLUOROLUBE to item 29

** Discontinued

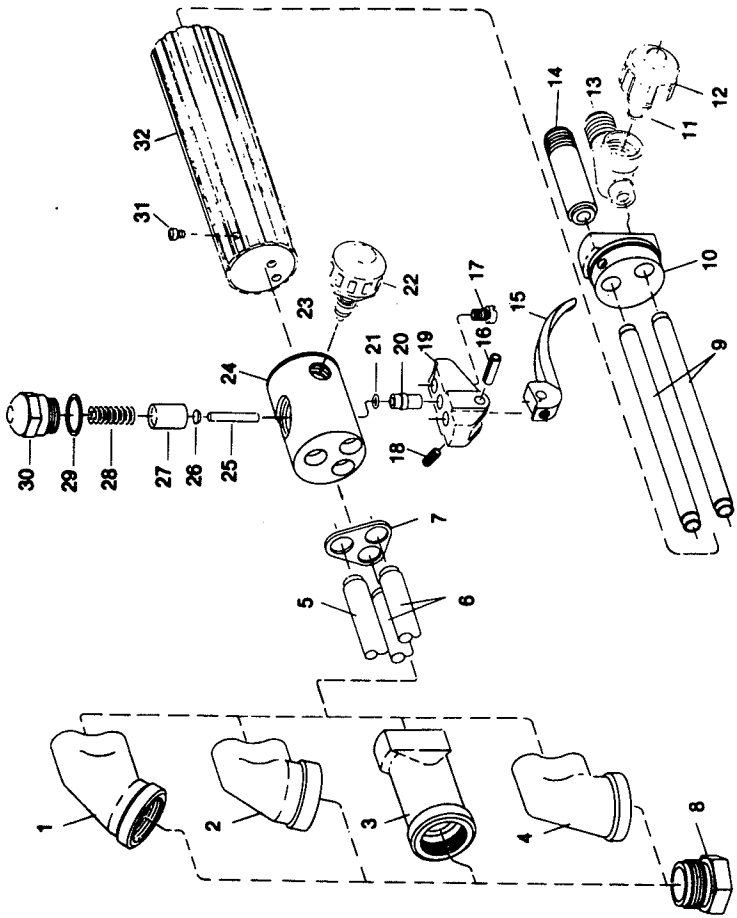


Figure 3. 9500 Series Cutting Torch

PARTS LIST - Reference No. 8 to 22

PARTS LIST - (Figure 3) - Parts Reference No. 1 to 7

TORCHES		HEADS			TUBES			BRACES*	
Stock No.	Item No.	Mat'l.	Items 1 to 4			Items 5 & 6			Item No. 7
			Angle	Stock No.	Item No. 5	Item No. 6	Item No. 7		
21" Long 822 9500** 822 9503** 822 9505** 822 9506**	3	BRZ	STR	831 2330	831 2279	831 2316	none	none	
	1	BRZ	45°	831 2328**	831 2279	831 2316	none	none	
	2	BRZ	75°	831 2324	831 2279	831 2316	none	none	
	4	BRZ	90°	831 2319	831 2279	831 2316	none	none	
822 9506** 0822/1822 9510 0822/1822 9515 0822/1822 9516	3	SST	STR	831 2332	831 2335	831 2336	none	none	
	2	SST	75°	831 2326	831 2335	831 2336	none	none	
	4	SST	90°	831 2322	831 2335	831 2336	none	none	
	3	BRZ	STR	831 2330	831 2333	831 2334	none	none	
30" Long 822 9535**	2	SST	75°	831 2326	831 2337	831 2338	831 2350	831 2350	
	3	SST	STR	831 2332	831 2341	831 2340	831 2349	831 2349	
36" Long 0822/1822 9540 0822/1822 9555 0822/1822 9556	2	SST	75°	831 2326	831 2341	831 2342	831 2350	831 2350	
	4	SST	90°	831 2322	831 2341	831 2342	831 2350	831 2350	
	3	SST	STR	831 2332	831 2345	831 2344	831 2349	831 2349	
	2	SST	75°	831 2326	831 2345	831 2346	831 2350	831 2350	
48" Long 0822/1822 9560 0822/1822 9585 0822/1822 9586	4	SST	90°	831 2322	831 2345	831 2346	831 2350	831 2350	
	3	SST	STR	831 2332	831 2345	831 2344	831 2349	831 2349	
	2	SST	75°	831 2326	831 2345	831 2346	831 2350	831 2350	
	4	SST	90°	831 2322	831 2345	831 2346	831 2350	831 2350	
72" Long 0822/1822 9595 0822/1822 9596	2	SST	75°	831 2326	831 2347	831 2348	831 2350	831 2350	
	4	SST	90°	831 2322	831 2347	831 2348	831 2350	831 2350	

† Torches with 1822 prefix use handle 831 4163
 Numbers in () indicate quantities if more than one
 * Apply FLUOROLUBE to items 11 and 29

* Brace item 7 used as required
 ** Discontinued

Item No.	Stock No.	Description (Figure 3)
8	831 2259	NUT, Tip
9	831 2278	TUBE Rear (2)
10	831 2270	END, Rear
11	831 7737	"O" RING
12	831 7730	VALVE STEM ASSEMBLY
13	831 5503	BODY FUEL VALVE
14	831 1294	NIPPLE, Oxygen
15	831 2354	HANDLE LEVER
16	831 5232	PIN ROLL 3/16 x 5/8 Esna 79-040-187-0625
17	890 0204	SCREW, Mach, 10 x 32 x 1/4
18	890 0670	SETSCREW, 6-32 x 3/8 NYlok
19	831 2268	YOKE
20	831 2283	BUSHING LIFT PIN
21	830 1316	"O" RING
22	831 2273	VALVE STEM ASSEMBLY
23	831 2255	PACKING
24	831 2265	END, Front
25	831 2274	PIN, Cutting Oxygen Valve
26	831 2290	EXTENSION SEAT HOLDER
27	831 0850	SEAT, Cutting Oxygen
28	831 8030	SPRING, Cutting Oxygen Valve
29	831 2909	RING, Cutting Oxygen Cap Seat
30	831 2282	CAP, Cutting Oxygen Valve
31	890 0157	SCREW, 4-40 x 1/8
32	831 2281†	HANDLE, Torch

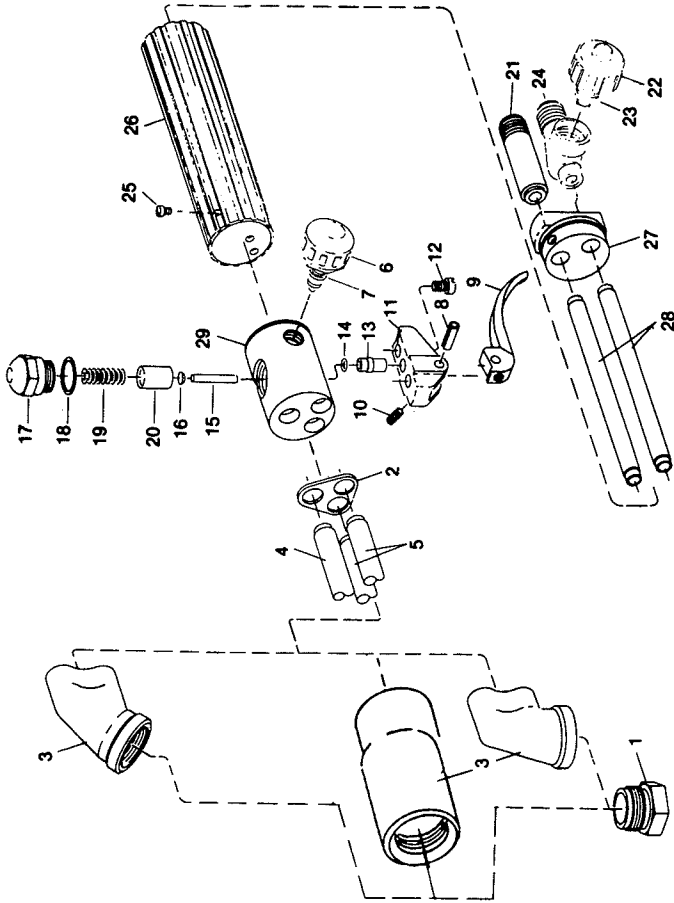


Figure 4. 9700 Series Cutting Torch

0822 or 1822

Item #	Description (Figure 4)	9705	9706	9710	9740	9760	9755	9756	9785	9786
1	Nut, Tip	831 2259	831 2259	831 2259	831 2259	831 2259	831 2259	831 2259	831 2259	831 2259
2	Brace, Tube	none	none	none	831 4420	831 4420	831 4420	831 4420	831 4420	831 4420
3	Head, Torch	831 2324	831 2319	831 2330	831 2330	831 2330	831 2324	831 2319	831 2324	831 2319
4	Tube, Oxygen	831 4164	831 4164	831 4164	831 4416	831 4418	831 4416	831 4416	831 4418	831 4418
5	Tube, Preheat (2)	831 4165	831 4165	831 4165	831 4417	831 4419	831 4417	831 4417	831 4419	831 4419
6	Valve Stem (Incl item 7)	831 2273	831 2273	831 2273	831 2273	831 2273	831 2273	831 2273	831 2273	831 2273
7	Packing	831 2555	831 2555	831 2555	831 2555	831 2555	831 2555	831 2555	831 2555	831 2555
8	Roll Pin 3/16 D x 5/8	831 9712	831 9712	831 9712	831 9712	831 9712	831 9712	831 9712	831 9712	831 9712
9	Handle, Lever	831 2354	831 2354	831 2354	831 2354	831 2354	831 2354	831 2354	831 2354	831 2354
10	Set Screw 6 x 32 x 3/8	9204 9690	9204 9690	9204 9690	9204 9690	9204 9690	9204 9690	9204 9690	9204 9690	9204 9690
11	Yoke	831 2268	831 2268	831 2268	831 2268	831 2268	831 2268	831 2268	831 2268	831 2268
12	Screw 10 x 32 x 1/4 Br.	9204 0491	9204 0491	9204 0491	9204 0491	9204 0491	9204 0491	9204 0491	9204 0491	9204 0491
13	Bushing, Lift Pin	831 2283	831 2283	831 2283	831 2283	831 2283	831 2283	831 2283	831 2283	831 2283
14	"O" Ring	830 1316	830 1316	830 1316	830 1316	830 1316	830 1316	830 1316	830 1316	830 1316
15	Pin, Lift	831 2274	831 2274	831 2274	831 2274	831 2274	831 2274	831 2274	831 2274	831 2274
16	Extension Seat Holder	831 2290	831 2290	831 2290	831 2290	831 2290	831 2290	831 2290	831 2290	831 2290
17	Cap, Trigger Valve	831 2282	831 2282	831 2282	831 2282	831 2282	831 2282	831 2282	831 2282	831 2282
18	Ring * Trigger Valve	831 2909	831 2909	831 2909	831 2909	831 2909	831 2909	831 2909	831 2909	831 2909
19	Spring Trigger Valve	831 8030	831 8030	831 8030	831 8030	831 8030	831 8030	831 8030	831 8030	831 8030
20	Seat Trigger Valve	831 0850	831 0850	831 0850	831 0850	831 0850	831 0850	831 0850	831 0850	831 0850
21	Nipple, Oxygen	831 1294	831 1294	831 1294	831 1294	831 1294	831 1294	831 1294	831 1294	831 1294
22	Valve Stem (Incl. item 23) *	831 7730	831 7730	831 7730	831 7730	831 7730	831 7730	831 7730	831 7730	831 7730
23	"O" Ring *	831 7737	831 7737	831 7737	831 7737	831 7737	831 7737	831 7737	831 7737	831 7737
24	Body, Fuel Gas Valve	831 5503	831 5503	831 5503	831 5503	831 5503	831 5503	831 5503	831 5503	831 5503
25	Screw Pan head 4-40x3/16 Nic. Pl.	9204 3223	9204 3223	9204 3223	9204 3223	9204 3223	9204 3223	9204 3223	9204 3223	9204 3223
26	Handle, Torch	831 4163	831 4163	831 4163	831 4163	831 4163	831 4163	831 4163	831 4163	831 4163
27	End, Rear	831 4166	831 4166	831 4166	831 4166	831 4166	831 4166	831 4166	831 4166	831 4166
28	Tube, Rear (2)	831 2278	831 2278	831 2278	831 2278	831 2278	831 2278	831 2278	831 2278	831 2278
29	End, Front	831 2265	831 2265	831 2265	831 2265	831 2265	831 2265	831 2265	831 2265	831 2265

* Apply FLUOROLUBE to items 18, 22 and 23.
 Numbers in () indicate quantities if more than one.
 (2) Required

TIP SELECTION - ACETYLENE

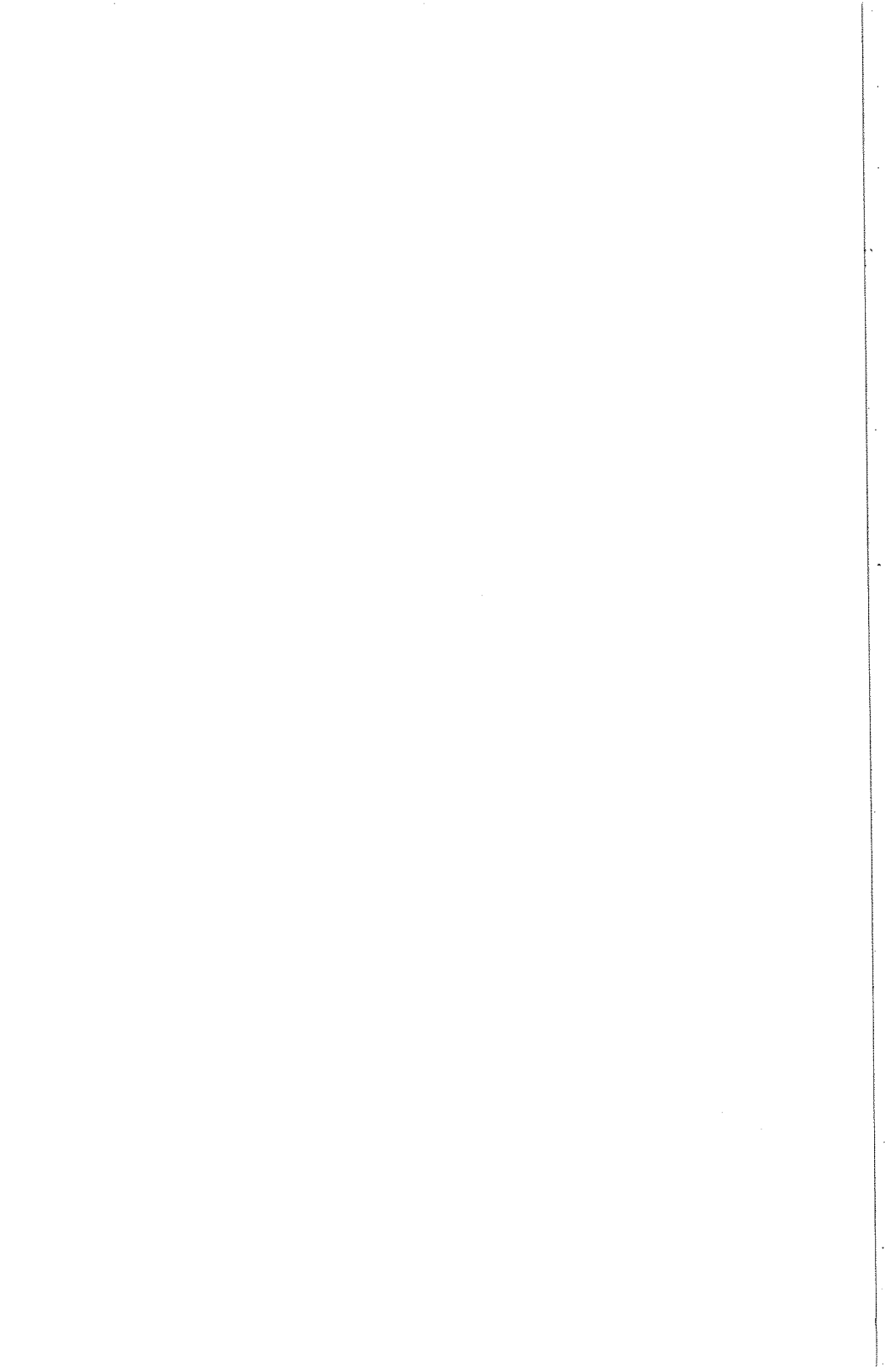
Style	Description
124	General purpose cutting, light preheat
138	General purpose contour cutting, light preheat
144	General purpose cutting, medium preheat
164	General purpose cutting, heavy preheat
183	Gouging, bent 20°

TIP SELECTION - MAPP GAS/PROPYLENE PROPANE, NATURAL GAS

Style	Description
245	General purpose MAPP/Propylene Gas Cutting
275	General purpose Propane, Natural Gas
244	Heating, MAPP/Propylene 831 2458
244	Heating, Propane, Natural Gas 831 2578

OPTIONAL EQUIPMENT

OPTIONAL EQUIPMENT	DESCRIPTION	STOCK NO.
Guide Roller Attachment	Steadies and guides torch over work	831 0667
Circular Cutting Attachment	Used with straight torch heads	831 3133
Flash Circle Burner	Permits cutting perfect circles 2½"-17" Dia.	831 1369
Adjustable Duplex Tip Holder	Permits two parallel cuts to be made with one torch	831 2925
Adjustable Angular Torch Head	Permits changing tip angle in torch to make difficult cuts easy	831 2100



WARRANTY

This equipment is sold by CONTROLS CORPORATION OF AMERICA under the warranties set forth in the following paragraphs. Such warranties are extended only with respect to the purchase of this equipment directly from CONTROLS CORPORATION OF AMERICA or its Authorized Distributors as new merchandise and are extended to the first Buyer thereof other than for the purpose of resale.

For a period of one (1) year from the date of original delivery to Buyer or to Buyer's order, this equipment is warranted to be free from functional defects in materials and workmanship and to conform to the description of this equipment contained in this manual and any accompanying labels and/or inserts, provided that the same is properly operated under conditions of normal use and that regular periodic maintenance and service is performed or replacements made in accordance with the instructions provided. The foregoing warranties shall not apply if the equipment has been repaired other than by CONTROLS CORPORATION OF AMERICA, or a designated service facility, or in accordance with written instructions provided by CONTROLS CORPORATION OF AMERICA, or altered by anyone other than CONTROLS CORPORATION OF AMERICA, or if the equipment has been subject to abuse, misuse, negligence, or accident.

CONTROLS CORPORATION OF AMERICA's sole and exclusive obligation and Buyer's sole and exclusive remedy under the above warranties is limited to repairing or replacing, free of charge, at CONTROLS CORPORATION OF AMERICA's option, the equipment or part, which is reported to its Authorized Distributor from whom purchased, and which if so advised, is returned with a statement of the observed deficiency, and proof of purchase of equipment or part not later than seven (7) days after the expiration date of the applicable warranty, to the nearest designated service facility during normal business hours, transportation charges prepaid, and which upon examination, is found not to comply with the above warranties. Return trip transportation charges for the equipment or part shall be paid by Buyer.

CONTROLS CORPORATION OF AMERICA SHALL NOT BE OTHERWISE LIABLE FOR ANY DAMAGES INCLUDING BUT NOT LIMITED TO INCIDENTAL DAMAGES, CONSEQUENTIAL DAMAGES, OR SPECIAL DAMAGES, WHETHER SUCH DAMAGES RESULT FROM NEGLIGENCE, BREACH OF WARRANTY OR OTHERWISE.

THERE ARE NO EXPRESS OR IMPLIED WARRANTIES WHICH EXTEND BEYOND THE WARRANTIES HEREINABOVE SET FORTH. CONTROLS CORPORATION OF AMERICA MAKES NO WARRANTY OF MERCHANTABILITY OR FITNESS FOR A PARTICULAR PURPOSE WITH RESPECT TO THE EQUIPMENT OR PARTS THEREOF.



You're in control

CERTIFIED
ISO 9001

CONTROLS CORPORATION OF AMERICA
1501 Harpers Road, Virginia Beach, VA 23454
Phone (757) 422-8330 • Fax (757) 422-3125
Phone Orders 1-800-225-0473