



400 Series Regulators

483 SERIES

The 483 Series regulator applications are wide and varied including high flow purging, non-corrosive process gas control, manifold and line regulation.

- Single Stage
- Ultra-High Flow
- Brass Barstock Body
- Four Port Configuration
- 316L Stainless Steel Diaphragm



483 3001-000 shown

Typical Applications

- Bulk gas distribution systems
- Gas and liquid chromatography
- High purity carrier gases
- Zero, span, and calibration gases
- High purity chamber pressurization
- Liquefied hydrocarbon gas control
- Control of cryogenic gases

Features

- Metal-to-Metal Diaphragm Seal**
No possibility of gas contamination
- ISOFLOW Technology**
Internal equalization provides constant delivery pressure at high flows
- Brass Barstock Body**
Smooth surface finish
- Rear Panel-Mountable**
Versatile system configuration
- Pressure Ranges 0-15 to 0-250 PSIG (0-1 to 0-17 BAR)**
Broad range of applications
- 3000 PSIG (210 BAR) Inlet Pressure Rating**
Safe use with high pressure cylinders
- Pipe Away Relief Valve**
Safely vents exhaust gases

Materials

- Body**
Brass barstock
- Bonnet**
Chrome-plated die-cast zinc
- Seat**
PTFE
- Filter**
40 micron 316L stainless steel mesh
- Diaphragm**
316L stainless steel
- Internal Seals**
PTFE

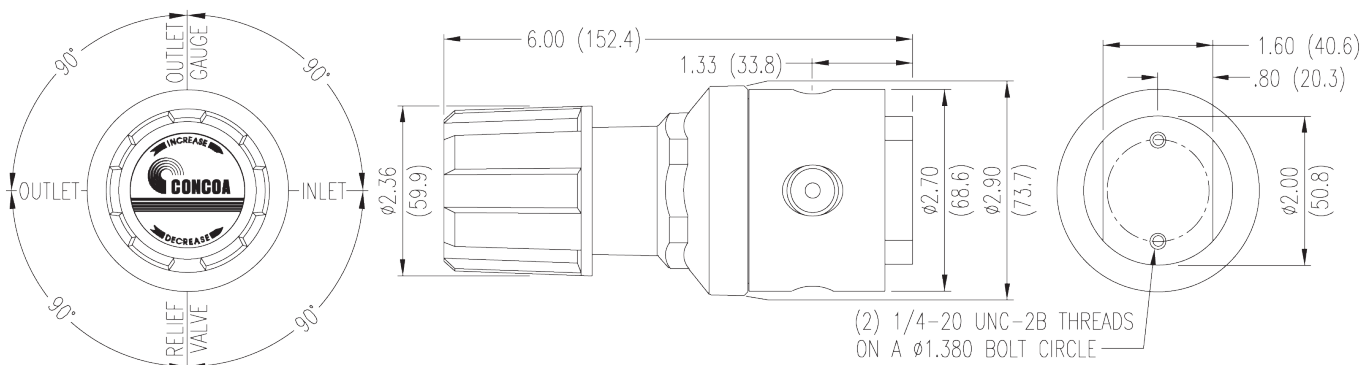
Specifications

- Maximum Inlet Pressure**
3000 PSIG (210 BAR)
- Temperature Range**
-40°F to 140°F (-40°C to 60°C)
- Gauge**
2" (53mm) diameter brass
- Ports**
1/2" FPT (inlet/outlet)
1/4" FPT (gauge/relief valve)
- Helium Leak Integrity**
1 x 10⁻⁸ scc/sec
- Cv**
1.0
See page 204 for flow curves
- Weight (483 3001-000)**
4.79 lbs. (2.17 kg)

400 Series Regulators



Installation Dimensions



REGULATORS

Ordering Information

483	A	B	C	D	-CON	Installed Options	
Series 483	Outlet Pressure	Outlet Gauge	Inlet Gauge	Outlet Assemblies	Assembly/Gauges	Inlet Connections	None
	1: 0-15 PSIG (0-1 BAR)	30"-0-30 PSIG/ -1-0-2 BAR	0: None	0: 1/2" FPT port	0: Bare body	000: 1/2" FPT	
	2: 0-40 PSIG (0-3 BAR)	30"-0-60 PSIG/ -1-0-4 BAR		1: 1/2" tube fitting	1: Standard assembly (PSIG/kPa gauges)	TF8: 1/2" tube	
	3: 0-120 PSIG (0-8 BAR)	30"-0-200 PSIG/ -1-0-14 BAR		5: Needle valve 1/4" MPT	2: Standard assembly (BAR/PSIG gauges)	M12: 12mm tube	
	4: 0-200 PSIG (0-14 BAR)	0-400 PSIG/ 0-27 BAR		P: 12mm tube fitting	6: Mirror image assembly (PSIG/kPa gauges)		
	5: 0-250 PSIG (0-17 BAR)	0-400 PSIG/ 0-27 BAR			7: Mirror image assembly (BAR/PSIG gauges)		

Related Options

Options	Order No.	Description
Panel mount kit	835 0204	To mount the regulator from the rear

