



# 400 Series Regulators

# 484 SERIES

The 484 Series regulator applications are wide and varied including high flow purging, semiconductor CDA and bulk gas supply, modified atmosphere packaging, pharmaceutical processing, manifold and line regulation.

- Single Stage
- Ultra-High Flow
- Stainless Steel Barstock Body
- Four Port Configuration
- 316L Stainless Steel Diaphragm



484 3001-000 shown

## Typical Applications

- Bulk gas distribution systems
- Gas and liquid chromatography
- High purity carrier gases
- Zero, span, and calibration gases
- High purity chamber pressurization
- Liquefied hydrocarbon gas control
- Control of cryogenic gases
- Corrosive gas service

## Features

- PTFE Diaphragm Seal**  
No possibility of gas contamination
- ISOFLOW Technology**  
Internal equalization provides constant delivery pressure at high flows
- 316L Stainless Steel Barstock Body**  
Corrosion resistance for smooth surface finish
- Rear Panel-Mountable**  
Versatile system configuration
- Pressure Ranges 0-15 to 0-250 PSIG (0-1 to 0-17 BAR)**  
Broad range of applications
- 3000 PSIG (210 BAR) Inlet Pressure Rating**  
Safe use with high pressure cylinders
- Pipe Away Relief Valve**  
Safely vents exhaust gases

## Materials

- Body**  
316L stainless steel barstock
- Bonnet**  
Chrome-plated die-cast zinc
- Seat**  
PCTFE
- Filter**  
40 micron 316L stainless steel mesh
- Diaphragm**  
316L stainless steel
- Internal Seals**  
PTFE

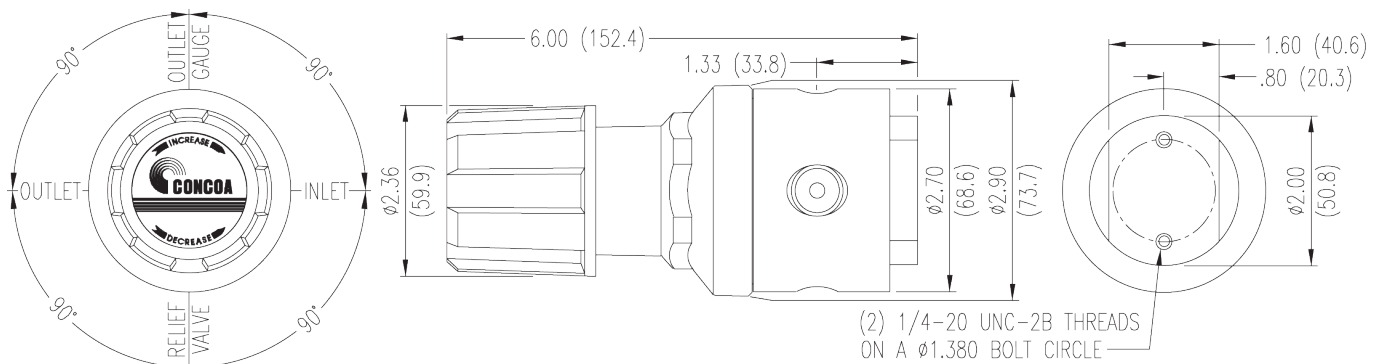
## Specifications

- Maximum Inlet Pressure**  
3000 PSIG (210 BAR)
- Temperature Range**  
-40°F to 140°F (-40°C to 60°C)
- Gauge**  
2" (53mm) diameter stainless steel
- Ports**  
1/2" FPT (inlet/outlet)  
1/4" FPT (gauge/relief valve)
- Helium Leak Integrity**  
1 x 10<sup>-8</sup> scc/sec
- Cv**  
1.0  
*See page 204 for flow curves*
- Weight (484 3001-000)**  
4.52 lbs. (2.05 kg)

# 400 Series Regulators



## Installation Dimensions



REGULATORS

## Ordering Information

484	A	B	C	D	-CON	Installed Options	
Series 484	Outlet Pressure	Outlet Gauge	Inlet Gauge	Outlet Assemblies	Assembly/Gauges	Inlet Connections	None
	<b>1:</b> 0-15 PSIG (0-1 BAR)	30"-0-30 PSIG/ -1-0-2 BAR	<b>0:</b> None	<b>0:</b> 1/2" FPT port	<b>0:</b> Bare body	<b>000:</b> 1/2" FPT	
	<b>2:</b> 0-40 PSIG (0-3 BAR)	30"-0-60 PSIG/ -1-0-4 BAR		<b>1:</b> 1/2" tube fitting	<b>1:</b> Standard assembly (PSIG/kPa gauges)	<b>TF8:</b> 1/2" tube	
	<b>3:</b> 0-120 PSIG (0-8 BAR)	30"-0-200 PSIG/ -1-0-14 BAR		<b>5:</b> Needle valve 1/4" MPT	<b>2:</b> Standard assembly (BAR/PSIG gauges)	<b>M12:</b> 12mm tube	
	<b>4:</b> 0-200 PSIG (0-14 BAR)	0-400 PSIG/ 0-27 BAR		<b>P:</b> 12mm tube fitting	<b>6:</b> Mirror image assembly (PSIG/kPa gauges)		
	<b>5:</b> 0-250 PSIG (0-17 BAR)	0-400 PSIG/ 0-27 BAR			<b>7:</b> Mirror image assembly (BAR/PSIG gauges)		

## Related Options

Options	Order No.	Description
Panel mount kit	835 0204	To mount the regulator from the rear

