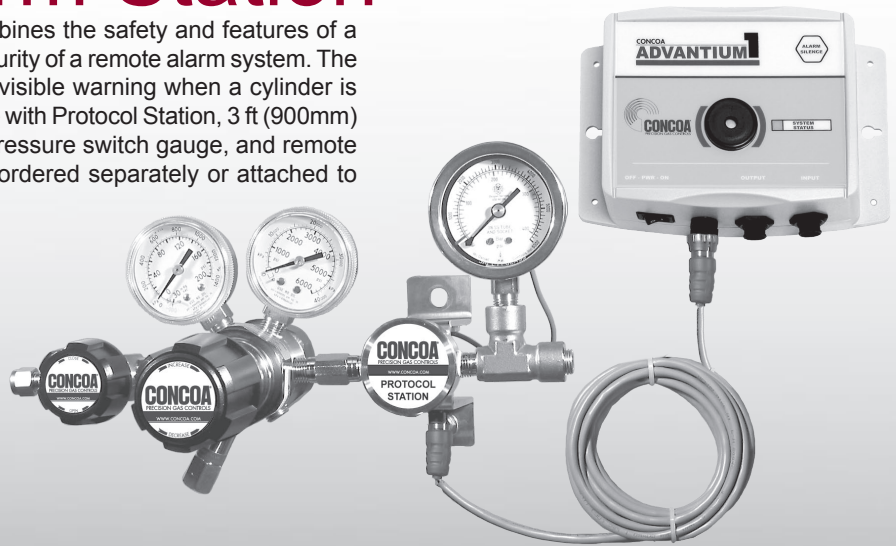




529 SERIES

Protocol Alarm Station

The 529 Series Protocol Alarm Station combines the safety and features of a standard Protocol Station with the added security of a remote alarm system. The Protocol Alarm Station provides an audible/visible warning when a cylinder is nearly depleted. The system comes complete with Protocol Station, 3 ft (900mm) all stainless steel hose with armor casing, pressure switch gauge, and remote alarm. The Protocol Alarm Station may be ordered separately or attached to any CONCOA high purity regulator.



529 1103 shown with regulator (sold separately)

Features

Integral Check Valve at Inlet

No internal contamination during cylinder change

Bracket Mounts

Attaches conveniently to any surface

Pressure Switch Gauge

Provides visible warning of cylinder depletion

Remote Alarm

Provides audible and visible warning of cylinder depletion

Connections

CGA, DIN 477, BS 341 and others available

Materials

Protocol Tee

Brass, chrome-plated brass or 316L stainless steel barstock

Flexible Hoses

316L stainless steel inner core
Mone!® inner core for oxygen service
PTFE inner core for 6000 PSIG (415 BAR)

Inlet Connection

316L stainless steel or brass barstock

Check Valve "O" Ring

Viton® (or neoprene for ammonia)

Bracket

304 stainless steel

Specifications

Maximum Inlet Pressure

3500 PSIG (240 BAR)
4500 PSIG (310 BAR) optional
6000 PSIG (415 BAR) optional

Temperature Range

-40°F to 140°F (-40°C to 60°C)

Weight (Single Stage)

3.6 lbs. (1.6 kg)

Weight (Dual Stage)

4.0 lbs. (1.8 kg)

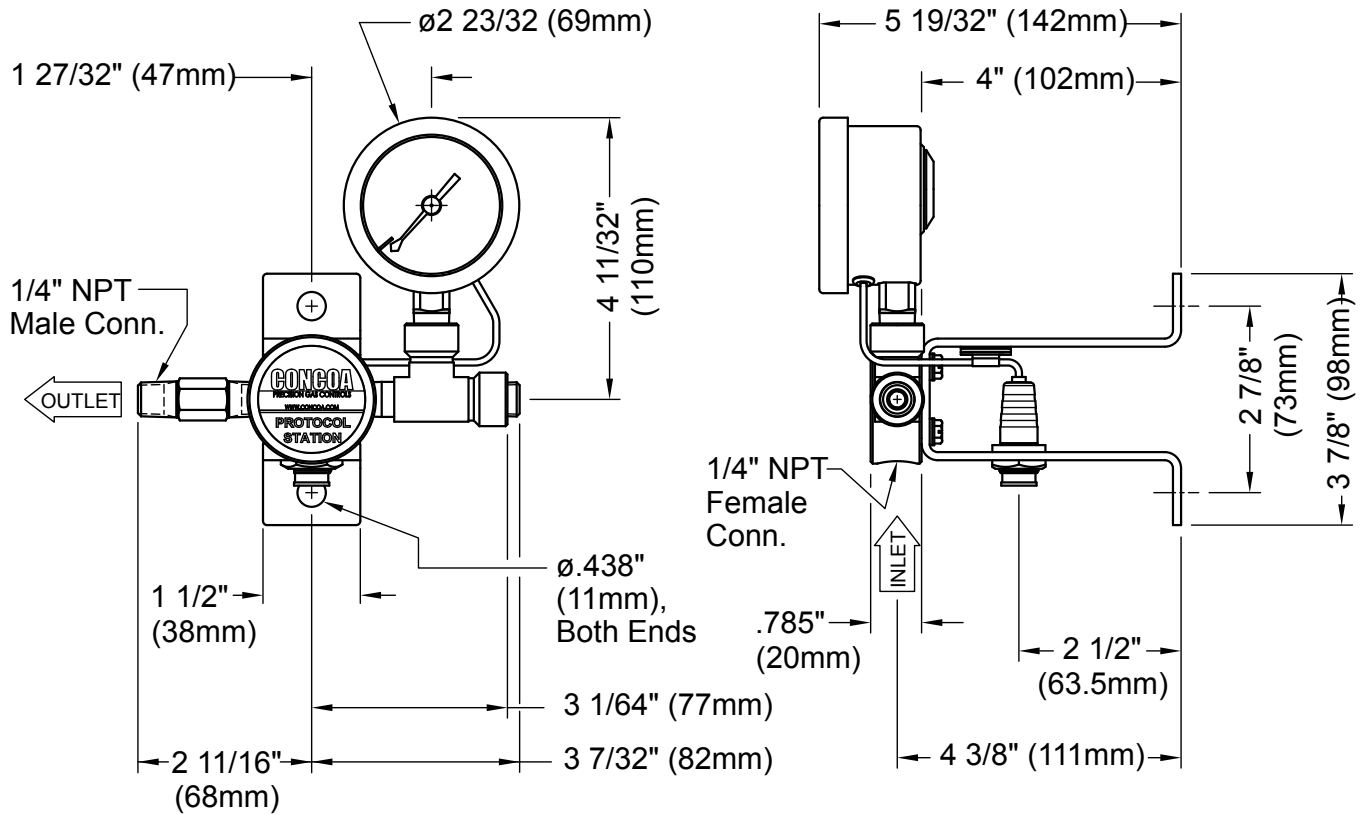
Intrinsic Safety Barriers

Required for flammable gas service or for use in hazardous environments

Manifolds



Installation Dimensions



529 1095 Dimensions Shown

DISTRIBUTION SYSTEMS

Ordering Information

Order Number	Description	Max Inlet	Inlet Gauge
Add letter "B" after any regulator order number	For example, to order a 422 1331-580 with protocol alarm station, the order number would be 422 1331-580B		
To order separately:			
529 1095-CON	Protocol alarm station for brass regulators (110/220 VAC)	400 PSIG (27 BAR)	600 PSIG/42 BAR
529 1096-CON	Protocol alarm station for chrome-plated brass regulators (110/220 VAC)	400 PSIG (27 BAR)	600 PSIG/42 BAR
529 1097-CON	Protocol alarm station for 316L stainless steel regulators (110/220 VAC)	400 PSIG (27 BAR)	600 PSIG/42 BAR
529 1101-CON	Protocol alarm station for brass regulators (110/220 VAC)	3500 PSIG (240 BAR)	4000 PSIG/275 BAR
529 1102-CON	Protocol alarm station for chrome-plated brass regulators (110/220 VAC)	3500 PSIG (240 BAR)	4000 PSIG/275 BAR
529 1103-CON	Protocol alarm station for 316L stainless steel regulators (110/220 VAC)	3500 PSIG (240 BAR)	4000 PSIG/275 BAR
529 1121-CON	Protocol alarm station for brass regulators (110/220 VAC)	4500 PSIG (310 BAR)	6000 PSIG/415 BAR
529 1122-CON	Protocol alarm station for chrome-plated brass regulators (110/220 VAC)	4500 PSIG (310 BAR)	6000 PSIG/415 BAR
529 1123-CON	Protocol alarm station for 316L stainless steel regulators (110/220 VAC)	4500 PSIG (310 BAR)	6000 PSIG/415 BAR
529 1133-CON	Protocol alarm station for 316L stainless steel regulators (110/220 VAC)	6000 PSIG (415 BAR)	10,000 PSIG/700 BAR