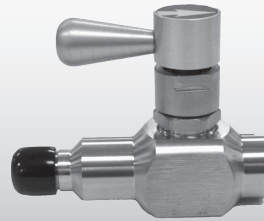


Quarter Turn Diaphragm Valves

The 533 Series quarter turn diaphragm valves are ideal for use as the primary flow control in high purity or corrosive gas systems. The 0°-90° shaft turn and low wetted surface area combine to minimize particle generation, and the completely swept path minimizes entrapment.

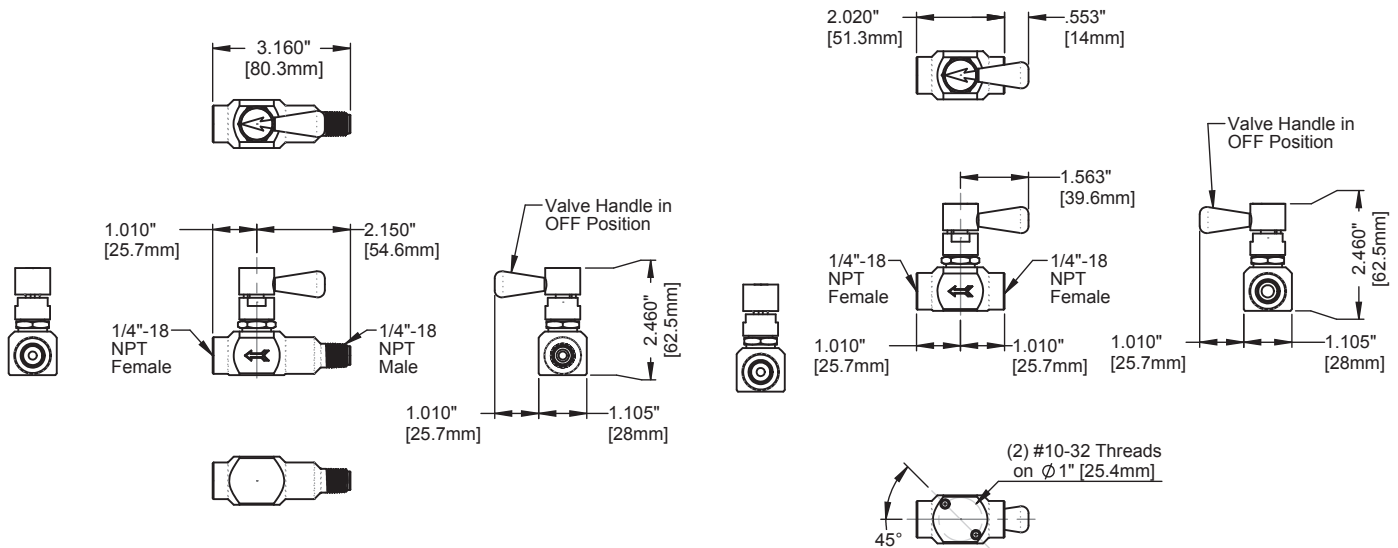
The unique design of the 533 Series allows low torque operation with gas flow in either direction. A directional arrow indicates suggested flow direction on the handle.



Materials and Specifications

Maximum Inlet Pressure	3500 PSIG (240 BAR)
Temperature Range	65°F to 150°F (18°C to 65°C)
Bodies and Fittings	Brass barstock, 316L Stainless steel or chrome-plated brass
Seats	PCTFE
Cv	0.13
Weight	0.66 lbs. (0.3 kg)

Installation Dimensions



FLOW CONTROL

Ordering Information

Series	B	C	D
Series 533-4	Flow Direction	Material	Connection
	1: Quarter turn right to left	2: Brass	0: 1/4" FPT x 1/4" FPT
	3: Quarter turn left to right*	4: 316L stainless steel	1: 6mm tube fitting x 6mm tube fitting
	<i>*Only for D=3, 7, 8, & 9</i>	5: Silconert™ 1020	2: 1/4" tube fitting x 1/4" tube fitting
		9: Chrome-plated brass	3: 1/4" MPT (extended leg) x 1/4" tube fitting
			4: 1/4" MPT x 1/4" MPT
			7: 1/4" MPT x 6mm tube fitting
			8: 1/4" MPT (extended leg) x 1/8" tube fitting
			9: 1/4" MPT (extended leg) x 1/4" FPT