

# MANIFOLD REGULATORS



## 6700 SERIES

### Manifold Regulators

The 6700 Series High-flow Heavy Duty Heating and Cutting regulator provides steady and reliable pressure control in industrial gas manifold applications requiring high-flow rates. The balanced stem seat design mitigates fluctuations in outlet pressure caused by variable inlet pressures while the large orifice seat and 1/2" ports provide high-flow capacity. Combined with robust materials of construction and a wide range of delivery pressures, the 6700 is an ideal choice for rugged heating and cutting manifold applications.



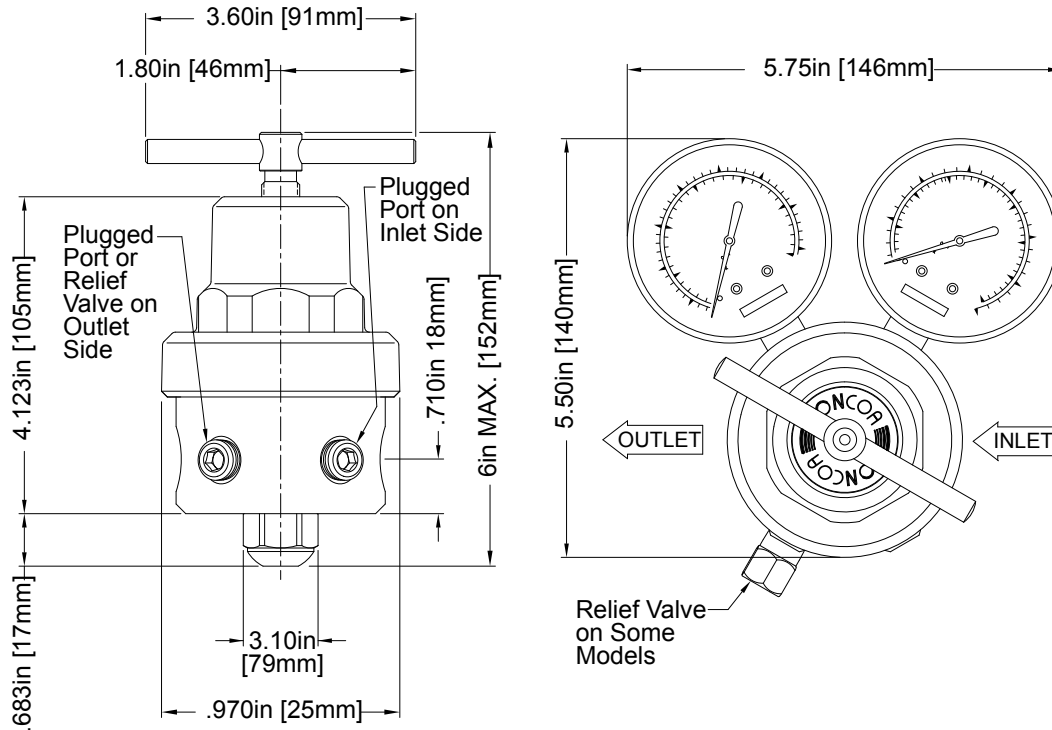
806 6725 Shown

Features	Materials of Construction	Specifications
<b>ISOFLOW Technology</b> Constant delivery pressure regardless of inlet pressure fluctuations	<b>Body</b> Brass barstock	<b>Max Inlet Pressure</b> 3000 PSIG (210 BAR)
<b>1/2" Inlet and Outlet Ports</b> High-flow capacity	<b>Bonnet</b> Forged brass	<b>Temperature Range</b> -40 to 140°F (-40 to 60°C)
<b>Machined Brass Barstock Body</b> Multiple configurations possible	<b>Seat</b> Viton® or Chloroprene	<b>Gauges</b> 2-1/2" manufactured to ANSI/ASME B40.1
<b>Pressure Ranges 0-15 to 0-200 PSIG</b> Broad range of applications	<b>Diaphragm</b> Neoprene	<b>Ports</b> 1/2" FNPT (inlet and outlet) 1/4" FNPT (gauge and relief ports)
	<b>40-Micron Inlet Filter</b> 316L stainless steel	<b>Cv</b> 2.0
		<b>Weight</b> 5.9 lbs. (2.7 kg)
		<b>Conformances</b> CGA E-4

# MANIFOLD REGULATORS



## Installation Dimensions



DISTRIBUTION SYSTEMS

## Ordering Information

Part Number	Gas Service	Outlet Pressure	Inlet Gauge	Outlet Gauge	Inlet Position
806 6700-01-1	Acetylene	0-15 PSIG (0-100 kPa)	0-400 PSIG (0-2800 kPa)	0-30 PSIG* (0-200 kPa)	Right Hand
806 6715-01-1	Inert Gas/Carbon Dioxide	0-15 PSIG (0-100 kPa)	0-400 PSIG (0-2800 kPa)	0-30 PSIG (0-200 kPa)	Right Hand
806 6740-01-1	Fuel Gas	0-40 PSIG (0-280 kPa)	0-400 PSIG (0-2800 kPa)	0-60 PSIG (0-400 kPa)	Right Hand
806 6725-01-1	Inert Gas	0-120 PSIG (0-830 kPa)	0-4000 PSIG (0-28000 kPa)	0-200 PSIG (0-1400 kPa)	Right Hand
806 6745-01-1	Inert Gas	0-200 PSIG (0-1400 kPa)	0-4000 PSIG (0-28000 kPa)	0-400 PSIG (0-2800 kPa)	Right Hand
806 6753-01-1	Inert Gas/Carbon Dioxide	0-125 PSIG (0-830 kPa)	0-4000 PSIG (0-28000 kPa)	0-200 PSIG (0-1400 kPa)	Right Hand
806 6754-01-1	Inert Gas/Carbon Dioxide	0-200 PSIG (0-1400 kPa)	0-4000 PSIG (0-28000 kPa)	0-400 PSIG (0-2800 kPa)	Right Hand
806 6770-01-1	Acetylene	0-15 PSIG (0-100 kPa)	0-400 PSIG (0-2800 kPa)	0-30 PSIG* (0-200 kPa)	Left Hand
806 6771-01-1	Inert Gas/Carbon Dioxide	0-15 PSIG (0-100 kPa)	0-400 PSIG (0-2800 kPa)	0-30 PSIG (0-200 kPa)	Left Hand
806 6772-01-1	Fuel Gas	0-40 PSIG (0-280 kPa)	0-400 PSIG (0-2800 kPa)	0-60 PSIG (0-400 kPa)	Left Hand
806 6773-01-1	Inert Gas	0-125 PSIG (0-830 kPa)	0-4000 PSIG (0-28000 kPa)	0-200 PSIG (0-1400 kPa)	Left Hand
806 6774-01-1	Inert Gas	0-200 PSIG (0-1400 kPa)	0-4000 PSIG (0-28000 kPa)	0-400 PSIG (0-2800 kPa)	Left Hand
806 6775-01-1	Inert Gas/Carbon Dioxide	0-125 PSIG (0-830 kPa)	0-4000 PSIG (0-28000 kPa)	0-200 PSIG (0-1400 kPa)	Left Hand
806 6776-01-1	Inert Gas/Carbon Dioxide	0-200 PSIG (0-1400 kPa)	0-4000 PSIG (0-28000 kPa)	0-400 PSIG (0-2800 kPa)	Left Hand

*\* Not recommended for Carbon Dioxide or Nitrous Oxide service*

*\*Outlet gauge redline for Acetylene service*

## Related Options

Part Number	Description
830 6479	Front Panel Mount Kit
835 0205	Rear Panel Mount Kit