

# DISTRIBUTION ACCESSORIES



## MANIFOLD HEATER

Manifold heaters ensure gaseous withdrawal from liquid sources and counteract the cooling effects of high-flow rates by heating the gas stream directly. The thermostatically-controlled 1000 watt heater provides steady vaporization 170°F (77°C) while the insulated cabinet remains cool.

### Specifications

#### Maximum Flow Rate

1000 SCFH at 0°F (475 LPM at -18°C)

#### Vaporization

22 lbs/hr at 0°F (10 kg/hr at -18°C)

#### Weight

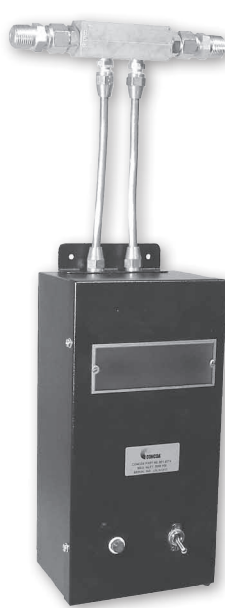
11 lbs (5kg)

#### Voltage Tolerance

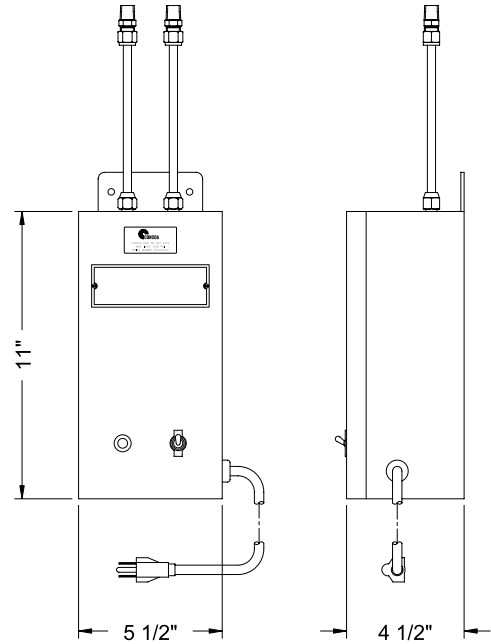
± 5% (50/60 Hz)

#### Cord Length

6 feet (180 cm)



851 4274 Shown

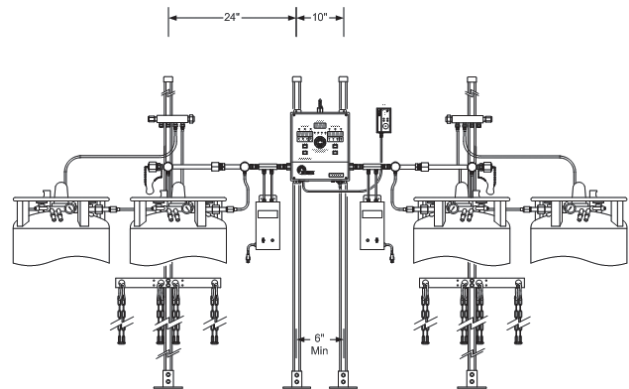


### Ordering Information

Part Number	Material	Max Inlet	Description
851 4274	Copper	2500 PSIG (170 BAR)	120 Volts (8.3amps) 1000 Watt heater with 1/2" MNPT manifold connector
851 4275	Copper	2500 PSIG (170 BAR)	240 Volts (4.2 amps) 1000 Watt heater with 1/2" MNPT manifold connector
851 4278	Stainless Steel	4600 PSIG (315 BAR)	120 Volts (8.3 amps) 1000 Watt heater with 1/2" MNPT manifold connector
851 4280	Stainless Steel	4600 PSIG (315 BAR)	240 Volts (4.2 amps) 1000 Watt heater with 1/2" MNPT manifold connector

## MANIFOLD FLOOR STANDS

CONCOA floor stands provide a convenient method to mount switchovers and manifolds where a permanent structure is unavailable. Each model comes with the necessary hardware to safely secure cylinders that otherwise are unable to support themselves. Models 518 1625 and 518 1725 offer a unique header plate to mount single cylinder per side switchover configurations.



### Ordering Information

Part Number	Description	Dimensions (LxWxH)
518 1625	Single Switchover Floor Stand with storage for two 12" cylinders	28" x 12" x 72"
518 1725	Multiple Switchover Floor Stand with storage for six 12" Cylinders	24" x 48" x 72"
830 7437	Manifold Extension Floor Stand designed to provide support every 24"	Base 6" x 6", Height 84"
830 7439	Switchover Floor Stand designed to provide support with dual vertical posts	Base 12" x 12" minimum, Height 84"