

MANIFOLD REGULATORS



6700 SERIES

Manifold Regulators

The 6700 Series High-flow Heavy Duty Heating and Cutting regulator provides steady and reliable pressure control in industrial gas manifold applications requiring high-flow rates. The balanced stem seat design mitigates fluctuations in outlet pressure caused by variable inlet pressures while the large orifice seat and 1/2" ports provide high-flow capacity. Combined with robust materials of construction and a wide range of delivery pressures, the 6700 is an ideal choice for rugged heating and cutting manifold applications.



806 6725 Shown

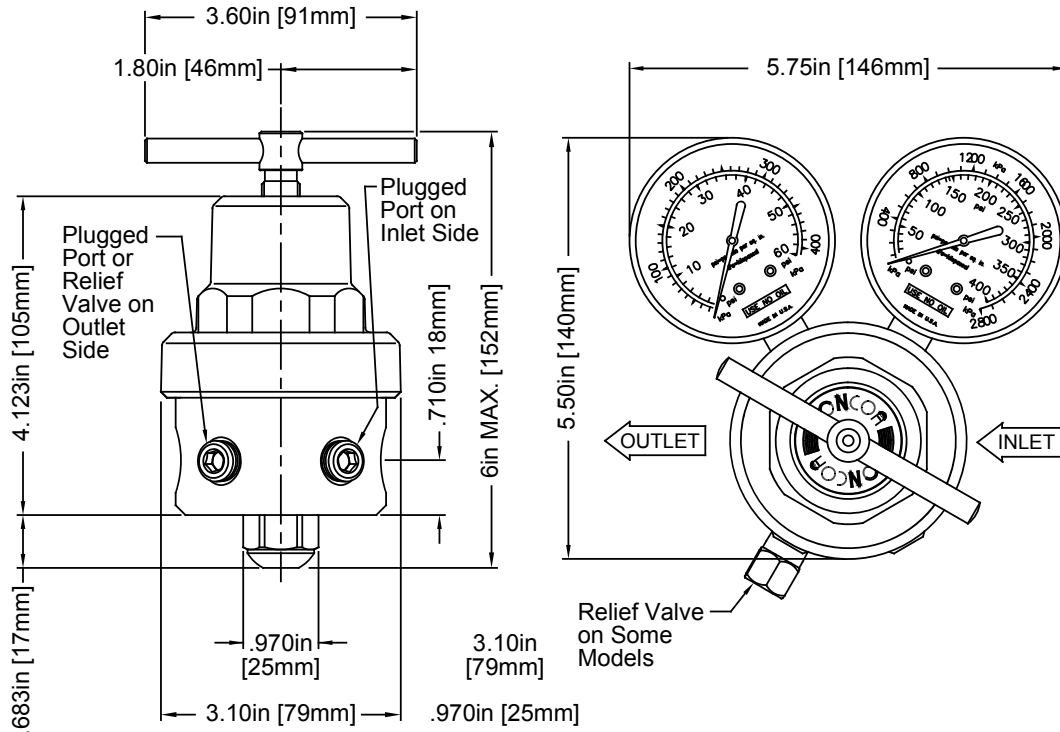
Features	Materials of Construction	Specifications
ISOFLOW Technology Constant delivery pressure regardless of inlet pressure fluctuations	Body Brass barstock	Max Inlet Pressure 3000 PSIG (210 BAR)
1/2" Inlet and Outlet Ports High-flow capacity	Bonnet Forged brass	Temperature Range -40 to 140°F (-40 to 60°C)
Machined Brass Barstock Body Multiple configurations possible	Seat Viton® or Chloroprene	Gauges 2-1/2" manufactured to ANSI/ASME B40.1
Pressure Ranges 0-15 to 0-200 PSIG Broad range of applications	Diaphragm Neoprene	Ports 1/2" FNPT (inlet and outlet) 1/4" FNPT (gauge and relief ports)
	40-Micron Inlet Filter 316L stainless steel	Cv 2.0
		Weight 5.9 lbs. (2.7 kg)
		Conformances CGA E-4

CRN 0F11806.2

MANIFOLD REGULATORS



Installation Dimensions



DISTRIBUTION SYSTEMS

Ordering Information

Part Number	Gas Service	Outlet Pressure	Inlet Gauge	Outlet Gauge	Inlet Position
806 6700-01-1	Acetylene	0-15 PSIG (0-100 kPa)	0-400 PSIG (0-2800 kPa)	0-30 PSIG* (0-200 kPa)	Right Hand
806 6715-01-1	Inert Gas/Carbon Dioxide	0-15 PSIG (0-100 kPa)	0-400 PSIG (0-2800 kPa)	0-30 PSIG (0-200 kPa)	Right Hand
806 6740-01-1	Fuel Gas	0-40 PSIG (0-280 kPa)	0-400 PSIG (0-2800 kPa)	0-60 PSIG (0-400 kPa)	Right Hand
806 6725-01-1	Inert Gas	0-120 PSIG (0-830 kPa)	0-4000 PSIG (0-28000 kPa)	0-200 PSIG (0-1400 kPa)	Right Hand
806 6745-01-1	Inert Gas	0-200 PSIG (0-1400 kPa)	0-4000 PSIG (0-28000 kPa)	0-400 PSIG (0-2800 kPa)	Right Hand
806 6753-01-1	Inert Gas/Carbon Dioxide	0-125 PSIG (0-830 kPa)	0-4000 PSIG (0-28000 kPa)	0-200 PSIG (0-1400 kPa)	Right Hand
806 6754-01-1	Inert Gas/Carbon Dioxide	0-200 PSIG (0-1400 kPa)	0-4000 PSIG (0-28000 kPa)	0-400 PSIG (0-2800 kPa)	Right Hand
806 6770-01-1	Acetylene	0-15 PSIG (0-100 kPa)	0-400 PSIG (0-2800 kPa)	0-30 PSIG* (0-200 kPa)	Left Hand
806 6771-01-1	Inert Gas/Carbon Dioxide	0-15 PSIG (0-100 kPa)	0-400 PSIG (0-2800 kPa)	0-30 PSIG (0-200 kPa)	Left Hand
806 6772-01-1	Fuel Gas	0-40 PSIG (0-280 kPa)	0-400 PSIG (0-2800 kPa)	0-60 PSIG (0-400 kPa)	Left Hand
806 6773-01-1	Inert Gas	0-125 PSIG (0-830 kPa)	0-4000 PSIG (0-28000 kPa)	0-200 PSIG (0-1400 kPa)	Left Hand
806 6774-01-1	Inert Gas	0-200 PSIG (0-1400 kPa)	0-4000 PSIG (0-28000 kPa)	0-400 PSIG (0-2800 kPa)	Left Hand
806 6775-01-1	Inert Gas/Carbon Dioxide	0-125 PSIG (0-830 kPa)	0-4000 PSIG (0-28000 kPa)	0-200 PSIG (0-1400 kPa)	Left Hand
806 6776-01-1	Inert Gas/Carbon Dioxide	0-200 PSIG (0-1400 kPa)	0-4000 PSIG (0-28000 kPa)	0-400 PSIG (0-2800 kPa)	Left Hand

** Not recommended for Carbon Dioxide or Nitrous Oxide service*

**Outlet gauge redline for Acetylene service*

Related Options

Part Number	Description
830 6479	Front Panel Mount Kit
835 0205	Rear Panel Mount Kit