

TORCH HANDLES & CUTTING ATTACHMENTS



750 TORCH HANDLE & ATTACHMENTS

The 750 Series handle is a versatile torch usable with all fuel gases. Its excellent flow capacity supports heating and welding in a wide variety of medium-duty applications. The torch can also be combined with 4700-5700 Style attachments for cutting up to 6" (15 cm).

Specifications

Length

8 3/4" (22 cm)

Weight (without tip)

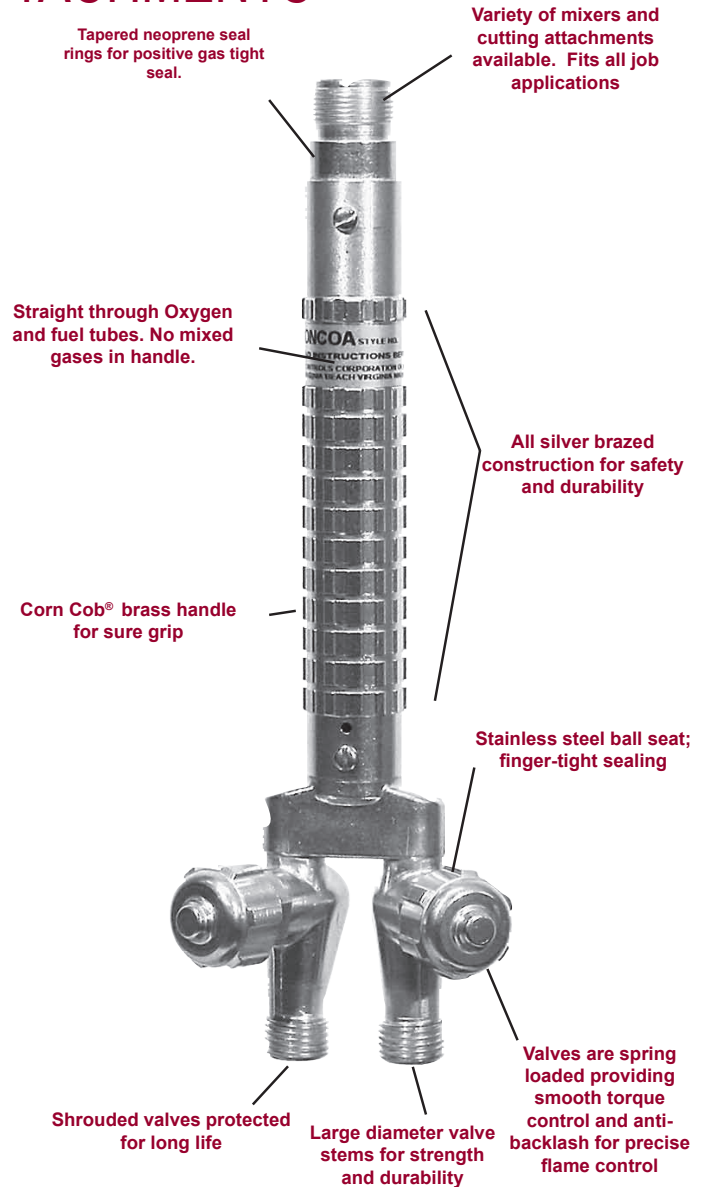
1.0 lbs. (0.5 kg)

Fittings

3/16"-18 B Ext.

Hose Sizes

1/4" or 5/16" (6.3 mm or 7.9mm)



Ordering Information

Part Number	Details
-------------	---------

818 0750-01-1 750 Series torch handle

4700-5700 STYLE CUTTING ATTACHMENTS

Ordering Information

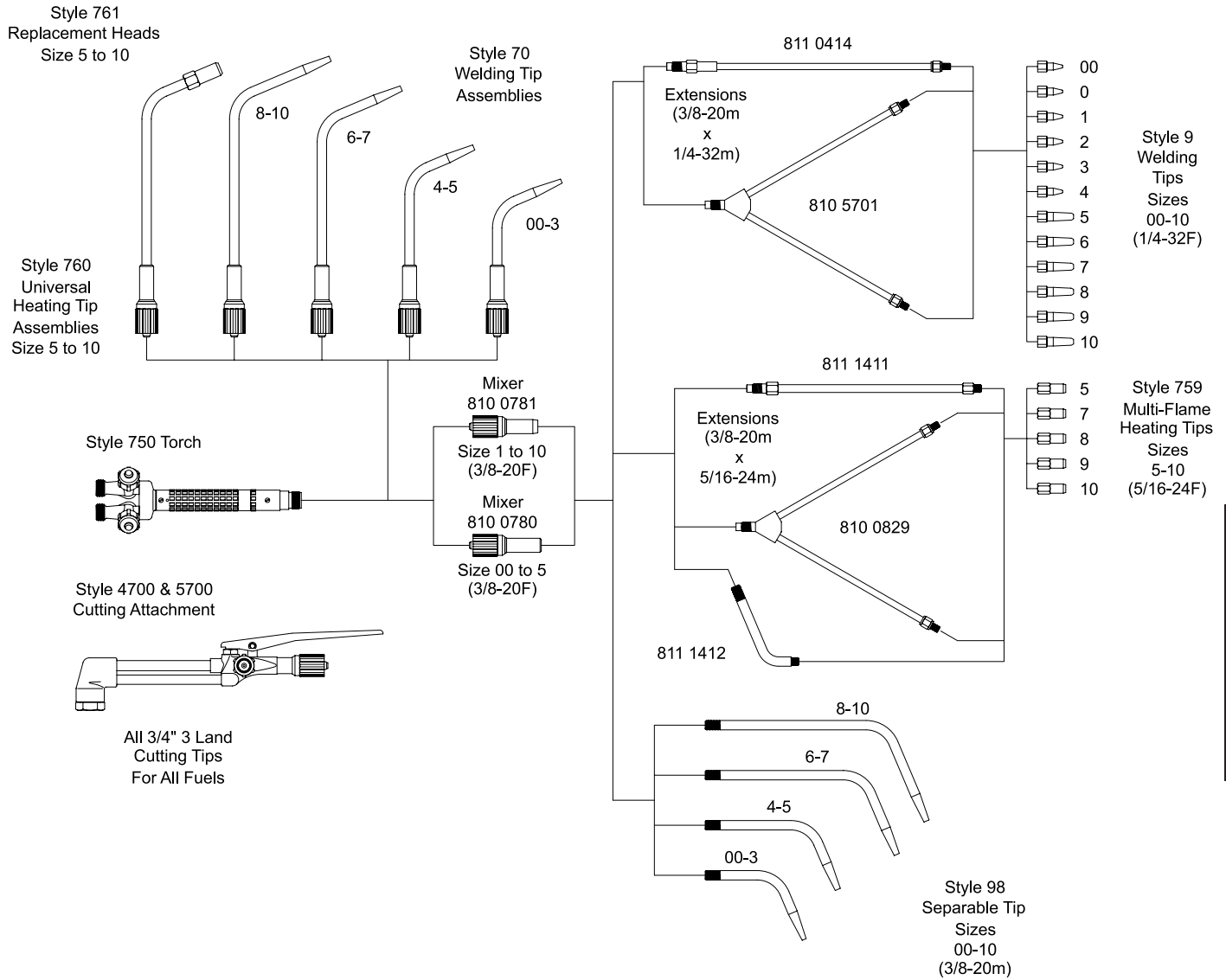
Part Number	Series	Head Angle	Head	Tubes	Length	Weight
822 4775-01-1	4700	75°	Stainless Steel	Nickel Alloy	12" (30.5 cm)	1.6 lbs. (.73 kg)
822 4790-01-1	4700	90°	Stainless Steel	Nickel Alloy	12" (30.5 cm)	1.6 lbs. (.73 kg)
822 5775-01-1	5700	75°	Bronze	Nickel Alloy	12" (30.5 cm)	1.6 lbs. (.73 kg)
822 5790-01-1	5700	90°	Bronze	Nickel Alloy	12" (30.5 cm)	1.6 lbs. (.73 kg)
822 5710-01-1	5700	180°	Brass	Nickel Alloy	12" (30.5 cm)	1.6 lbs. (.73 kg)



TORCH HANDLES & CUTTING ATTACHMENTS



750 TORCH HANDLE & ATTACHMENTS



TORCHES