

# 628 SERIES

**Assist**  
Gas Supply

## 628 SERIES MANIFLEX HF

The 628 Series Maniflex Modular Gas Distribution System is a flexible modular system designed for centralized gas distribution regardless of facility constraints. The modules contained in the header are available in standard, compact, or double-row versions, allowing many combinations which will adapt to any physical environment. Optional flashback arrestors are available for each hose to safely deliver fuel gas to a CONCOA pressure control device.

### Advanced Features

<b>MODULAR DESIGN</b>	Flexible field installation
<b>INTEGRAL DIAPHRAGM VALVES</b>	Leak-tight integrity No gas contamination
<b>METAL TO METAL FIELD-ASSEMBLED JOINTS</b>	Easy leak-tight field assembly Ease of transportation
<b>SILVER-BRAZED MODULES</b>	Contamination-free installation



### How to Order a Maniflex System

<b>Step One</b>	Choose a material from those available in column A.
<b>Step Two</b>	Select an orientation from those available in column B. Standard manifold headers space cylinders 12" (305mm) apart. "Right" means that the extension connects to the right inlet side of a regulator or switchover. A single row manifold has one cylinder hose attached at each valve station; a double row manifold has two cylinder hoses attached at each valve station on opposite sides of the valve.
<b>Step Three</b>	Choose a hose style from those available in column C. Please note that all hoses include a check valve with the inlet connection. For most CGA cylinder connections, the check valve is in the inlet gland.
<b>Step Four</b>	Determine the number of cylinders that will be used with the extension.
<b>Step Five</b>	Specify the connection type for the hose. Flammable and fuel gas connections are only available on hoses with integral flashback arrestors.
<b>Step Six</b>	To connect the outlet of the manifold system to a regulator, order the appropriate optional cylinder connection adapter from the accessories listed on page 29

### Specifications

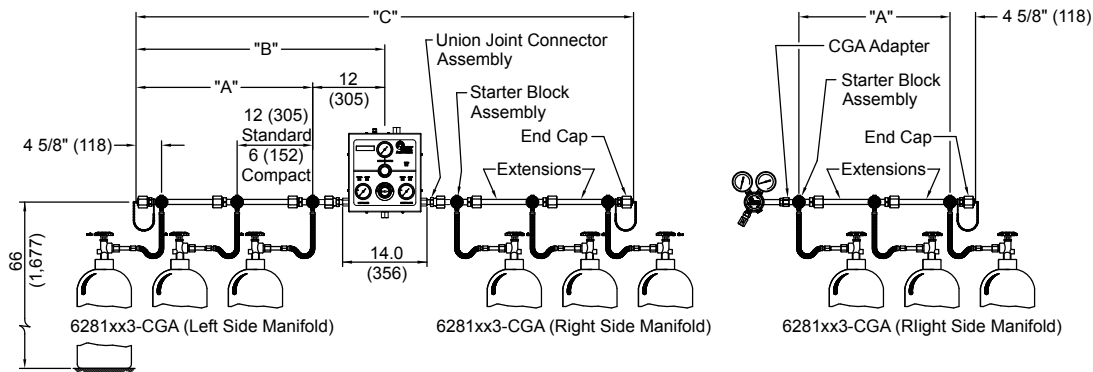
<b>Maximum Inlet Pressure</b>	3000 PSIG (210 BAR)
<b>Temperature Range</b>	-40 to 140°F (-40 to 60°C)
<b>Inlet Connections</b>	¼" FPT
<b>Outlet Connections</b>	½" MPT
<b>Header</b>	0.875" (22mm) OD x 0.188" (4.8mm) wall brass
<b>Diaphragm Valve</b>	Brass barstock (body) PCTFE (seat) 316 stainless steel (stems) 316 stainless steel (diaphragms)

# Assist Gas Supply

# 628 SERIES

Dimensions ("A", "B", and "C" refer to the lengths specified on the diagram below.) - in(mm)

Cylinder per Extension	1	2	3	4	5	6	7	8	9	10
A. Standard	4.6(117)	16.6(422)	28.6(726)	40.6(1031.2)	52.6(1336)	64.6(1640)	76.6(1945)	88.6(2250)	100.6(2555)	12.6(320)
B. Standard	16.6(422)	28.6(726)	40.6(1031)	52.6(1336)	64.6(1640)	76.6(1945)	88.6(2250)	100.6(2555)	112.6(2860)	124.6(3164)
C. Standard	33.2(840)	57.2(1453)	81.2(2062)	105.2(2672)	129.2(3281)	153.2(3891)	177.2(4500)	201(5105)	225.2(5720)	244.2(6202)
Weight Compact lbs(kg)	5.7(2.6)	11.8(5.3)	17.9(8.12)	24.0(10.9)	31.1(14.1)	36.2(16.4)	42.3(19.2)	48.4(21.9)	54.5(24.8)	60.6(27.2)
A Compact	4.6(117)	10.6(269)	16.6(421)	22.6(574)	28.6(726)	34.6(878)	40.6(1031)	46.6(1183)	52.6(1336)	58.6(1488)
B Compact	16.6(422)	22.6(574)	28.6(726)	34.6(878)	40.6(1031)	46.6(1183)	52.6(1336)	58.6(1488)	64.6(1640)	70.6(1793)
C Compact	32.2(818)	45.2(1148)	57.2(1452)	69.2(1757)	81.2(2062)	93.2(2367)	105.2(2672)	117.2(2976)	129.2(3281)	141.2(3586)
Weight compact lbs(kg)	5.7(2.6)	11.2(5.1)	16.7(7.6)	22.2(10.1)	27.7(12.6)	33.2(15)	38.7(15.1)	44.2(20.04)	49.7(22.5)	55.2(25.03)



Assist Gas Supply

## Ordering Information

628	A	B	C	D	F	G
Series	Material	Orientation	Hose Style	Number of Stations	Hose Connection	Installed Options
628	1: Brass	1: Standard single row (right)	0: None	1: One station	Please specify inlet connection.	F: Integral hose flash arrestor
		2: Standard single row (left)	1: 36" (900mm) rigid brass	2: Two stations	PTFE-lined	
		3: Standard double row	2: 24" (600mm) rigid copper	3: Three stations	hose for oxygen service includes accumulator	
		4: Compact single row (right)	3: 72" (1800mm) flexible armor-cased stainless steel core	4: Four stations	extensions to prevent ignition from adiabatic compression.	
		5: Compact single row (left)	4: 24" (600mm) stainless steel-braided with PTFE lining	5: Five stations	Not for use with Helium or Hydrogen.	
		6: Compact double row	5: 36" (900mm) flexible stainless steel core & armor cased	6: Six stations		
			6: 36" (900mm) flexible stainless steel-braided with PTFE lining	7: Seven stations		
			7: 24" (600mm) flexible stainless steel core & armor cased	8: Eight stations		
			8: 36" (900mm) rigid brass with flash arrestors (CGA 300, 400, & 510 Acet. only)	9: Nine stations		
			9: 72" (1800mm) flexible stainless steel-braided with PTFE lining	0: Ten stations		
			A: 36" (900mm) flexible stainless steel armor with PTFE lining	A: Eleven stations		
				B: Twelve stations		
				C: Thirteen stations		
				D: Fourteen stations		
				E: Fifteen stations		

## Maniflex Accessories

Option	Order No.	Description
Manifold Floor Stand	8307437	Supports two standard length (12") 305mm manifold extensions installed consecutively
Cylinder Connection Adapter for Regulator	5290008-CON	Brass (1/2" MPT x cylinder connection)
1/2" Union Joint Connector	8291839	Union Gland
	8291840	Union Nut
	8306498	Unions Connector