

636 SERIES

636 SERIES AUTOSWITCH HF



The 636 Series AutoSwitch provides a continuous supply of nonflammable industrial gases at a constant delivery pressure from two high pressure banks. Standard pressure switches enable visual alarms and an optional remote alarm to notify the user of the need to replenish a depleted bank.

Advanced Features

- BALANCED MAIN VALVE** High flow capacity
- INTEGRAL LINE REGULATOR** Stable line pressure during change-over
- VARIABLE LINE PRESSURE** Line pressure changeable on site
- USER-FRIENDLY PRIORITY VALVE** One knob switches cylinder priority
- INTEGRAL MANIFOLD SYSTEM** Easy installation

6362000-01-000 shown

Applications

Purging Systems

Large flow capacity to remove contaminants

Argon or Helium Shielding Gas

High-pressure source

Materials

Priority Valve and Line Regulator

Brass barstock

Diaphragms

Fabric-reinforced neoprene

Enclosure

Acrylic powder-coated steel

Tubing and Fittings

316 stainless steel, brass, and copper

Internal Seals

PTFE

Seats

Neoprene, PTFE and Viton®

Pressure Gauges and Switches

Brass, bronze, stainless steel, and copper

Check Valves

Brass and Viton seals

Specifications

Maximum Inlet Pressure

3000 PSIG (210 BAR)

Temperature Range

-40°F to 140°F (-40°C to 60°C)

Maximum Flow

6000 SCFH (2830 lpm)

Inlet Connection (Enclosure)

½" FPT

Outlet Connection

½" FPT

Weight

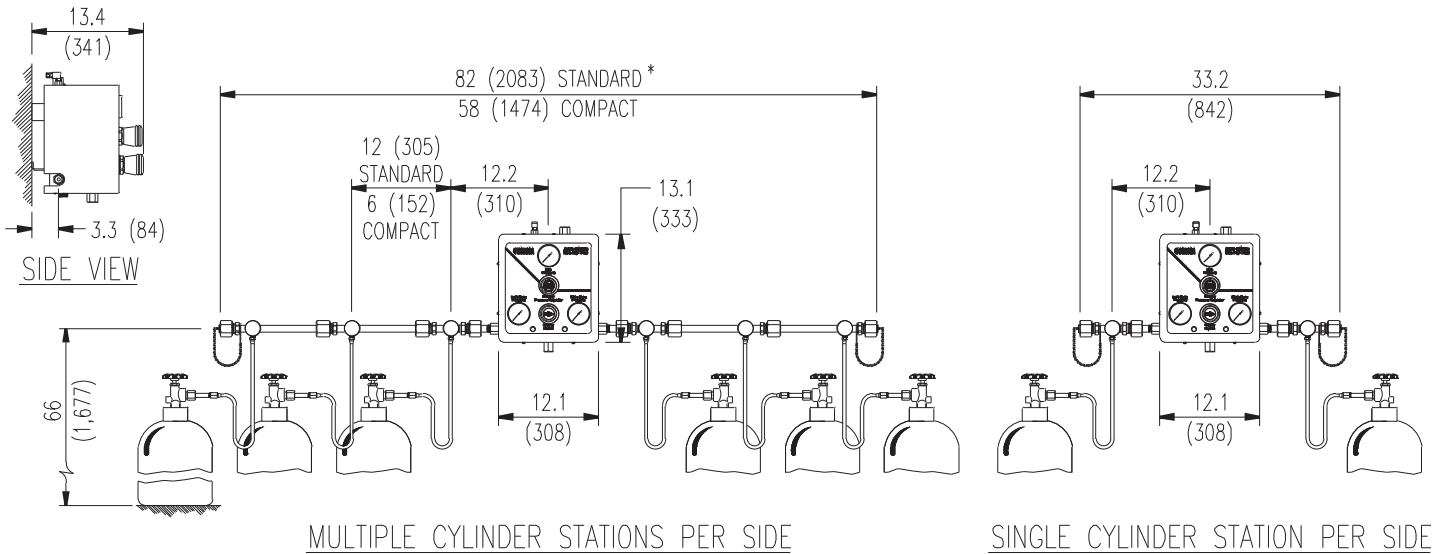
54 lbs. (25 kg)

Laser Welding

Supply

636 SERIES

Installation Dimensions



*Additional standard manifold extensions add 12" (305mm) per side;
Additional compact manifold extensions add 6" (153mm)

Ordering Information

636	A	B	C	D	CON
Series	Outlet Pressure	Manifold Style	Hose Style	Stations/Side	Inlet
636	1: 0-15 PSIG (0-1 BAR)	0: No manifolds	0: No hoses	0: No stations	Please specify inlet connection CGA DIN 477 BS 341 and others available
	2: 0-40 PSIG (0-3 BAR)	1: Standard length (12" between stations) with one cylinder per station	2: 24" (600mm) Rigid copper	1: One station	
	3: 0-120 PSIG (8 BAR)	3: Standard length (12" between stations) with two cylinders per station	3: 72" (1800mm) Flexible stainless steel-lined	2: Two stations	
		4: Compact length (6" between stations) with one cylinder per station	4: 24" (600mm) Flexible stainless steel-braided	3: Three stations	
		6: Compact length (6" between stations) with two cylinders per station	5: 36" (900mm) Flexible stainless steel-lined	4: Four stations	
			6: 36" (900mm) Flexible stainless steel-braided with PTFE lining	5: Five stations	
			7: 24" (600mm) Flexible stainless steel-lined	6: Six stations	
			9: 72" (1800mm) Flexible stainless steel-braided with PTFE lining	7: Seven stations	
				8: Eight stations	
				9: Nine stations	

Related Options

Option	Series	Description
Advantium 2 Plus Remote Alarm	5750023-01-000 (110V/220V)	Provides audible and visual notification of a depleted supply bank to a remote location
Advantium 8	5295310-01-001 (110V) 5295311-01-001 (220V)	Provides audible and visual notification of a depleted supply bank to a remote location
Manifold Floor Stand	830-7437	Single manifold floor stand provides support for up to two consecutive manifold extensions
Floor Stand	830-7439	AutoSwitch floor stand