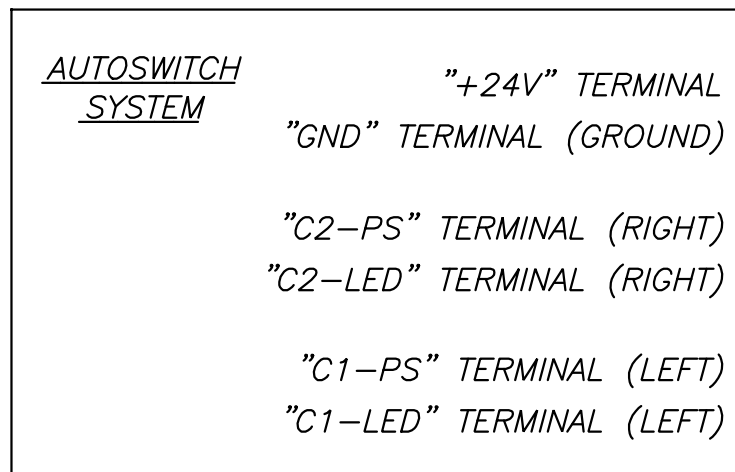


AUTOSWITCH SYSTEMS WITH PRESSURE SWITCH GAUGES

POTENTIALLY FLAMMABLE ATMOSPHERE



INTRINSICALLY SAFE WIRING

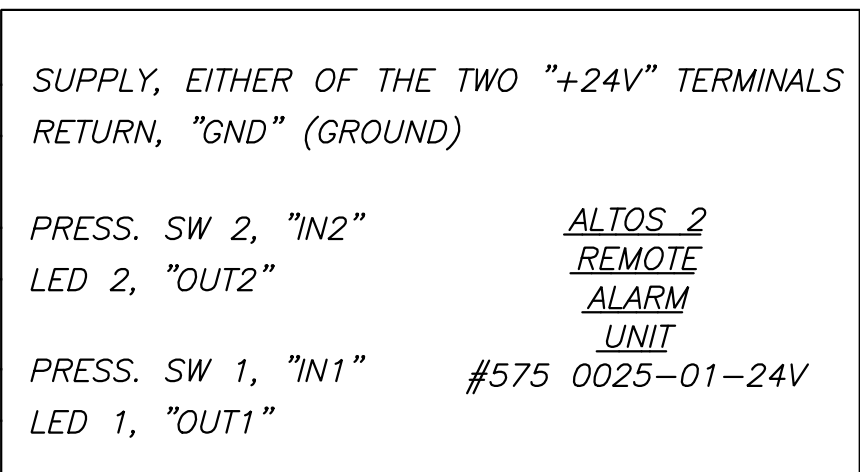
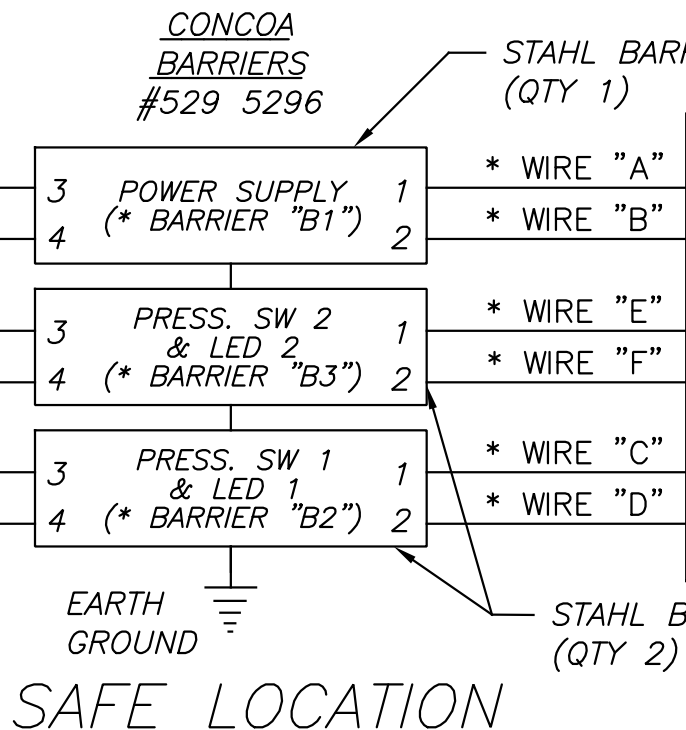
INTRINSICALLY SAFE WIRING

INTRINSICALLY SAFE WIRING

INTRINSICALLY SAFE WIRING

INTRINSICALLY SAFE WIRING

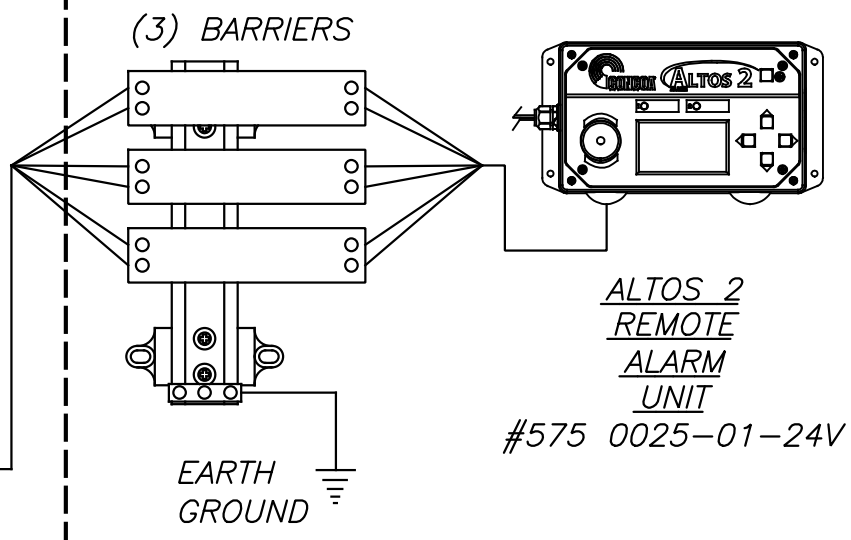
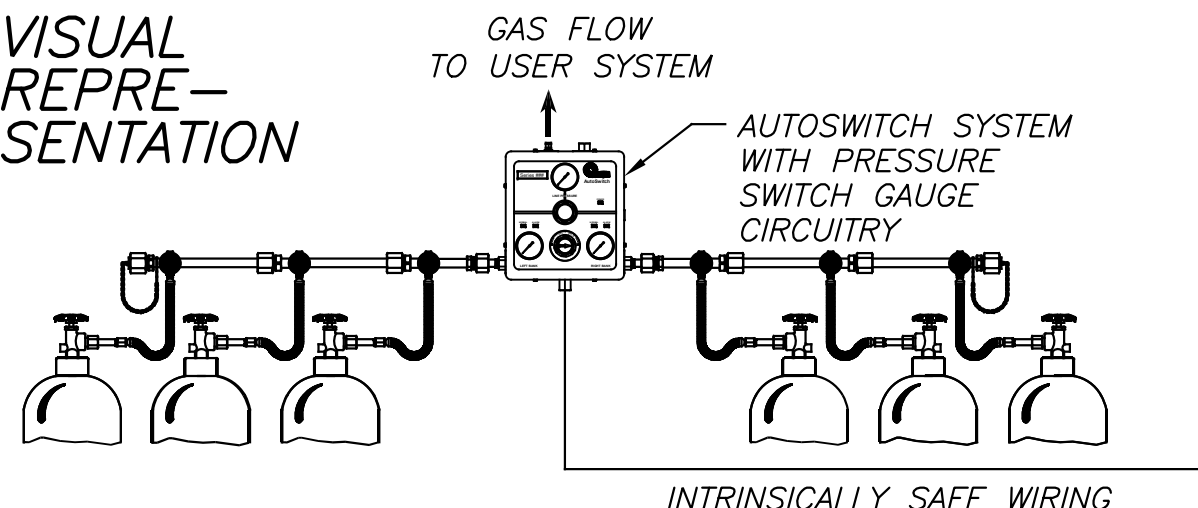
INTRINSICALLY SAFE WIRING



HAZARDOUS LOCATION
CLASS I, II, & III - A THRU G

* SEE ALSO WIRING INSTRUCTIONS IN CONCOA DOCUMENT 99060025-24V (ADI0025-24V)

VISUAL REPRESENTATION



- NOTES ON SYSTEM
1. SYSTEM MUST BE INSTALLED IN ACCORDANCE WITH NATIONAL ELECTRIC CODE ANSI/NFPA 70, ARTICLE 504. BARRIERS MUST BE INSTALLED IN ACCORDANCE WITH MANUFACTURER GUIDELINES.
 2. MAXIMUM CABLE LENGTH: 1500 FT. (457 METERS) FOR SYSTEMS WITH PRESS. SWITCH GAUGES CIRCUITRY

- NOTES ON CONTROL EQUIPMENT:
1. MAINS POWER MUST NOT EXCEED 250 VOLTS WITH RESPECT TO GROUND.
 2. CONNECT TO EARTH GROUND ACCORDING TO BARRIER MANUFACTURER'S INSTRUCTIONS. RESISTANCE BETWEEN BARRIER GROUND AND GROUNDING ELECTRODE SHALL NOT EXCEED 1 OHM.
- CONTACT INFORMATION, BARRIERS: R. STAHL (U.S.A.)
1-800-782 4357
www.rstahl.com

DISCONTINUED

(Ref.: This instruction document is identical to 99063237 page 1)

	CONTROLS CORPORATION OF AMERICA PRODUCT ENGINEERING DEPARTMENT VIRGINIA BEACH, VA 23454	PART NO.	9906 3209
	TITLE:	ADI, INTSFTY_PSW _____ AUTOSWITCHES_ALTOS2	FILENAME: 99063209.PDF REV. ECN NUMBER DATE 12 24-005 1/5/2024