

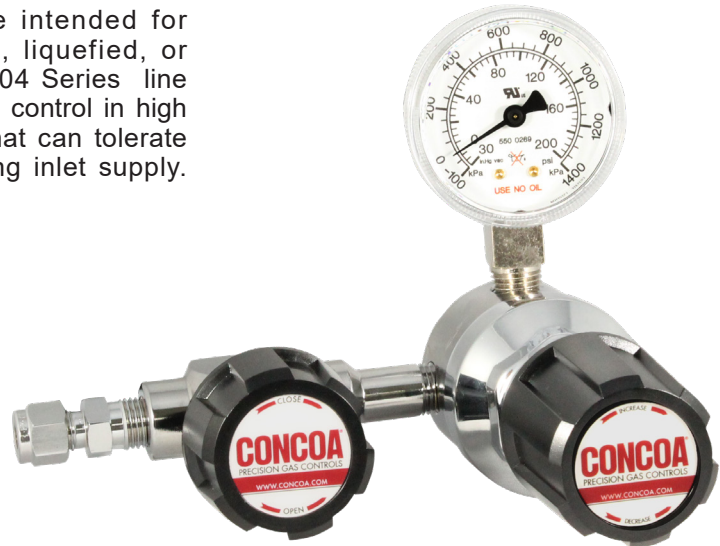
304 SERIES REGULATORS



The 304 Series single stage regulators are intended for secondary pressure control of non-corrosive, liquefied, or high purity (up to grade 5.5) gases. CONCOA 304 Series line regulators are also ideal for point-of-use pressure control in high purity gas distribution systems or applications that can tolerate fluctuations in outlet pressure due to diminishing inlet supply.

Typical Applications

- Bulk Gas Distribution Systems
- Gas and Liquid Chromatography
- High Purity Carrier Gases
- Zero, Span, and Calibration Gases
- Liquefied Hydrocarbon Gas Control
- Control of Cryogenic Gases



304 3031-01-000 shown

Features

CAPSULE® Seat increases serviceability and life

316L Stainless Steel Diaphragm prevents inboard diffusion

Low Wetted Surface Area minimizes purge requirements

Field-Adjustable Pressure Limit safeguards downstream equipment

Convuluted Diaphragm provides smooth pressure changes

Compact Design permits easy transport and system integration

Pressure Ranges 0-15 to 0-500 PSIG (0-1 to 0-34 BAR) facilitates a broad range of applications

Materials and Specifications

Maximum Inlet Pressure (bare body): 3000 PSIG (210 BAR)

Body: Chrome-plated brass barstock

Bonnet: Chrome-plated die-cast zinc

Gauges: 2 in (50 mm) diameter plated case

Seat: PTFE

Filter: 10-micron sintered bronze

Temperature Range: -40°F to 140°F (-40°C to 60°C)

Diaphragm: 316L stainless steel

Cv: 0.1 *See flow curves attached*

Helium Leak Integrity: 1×10^{-8} scc/sec

Internal Seals: PTFE

Ports (bare body): 1/4 in FNPT

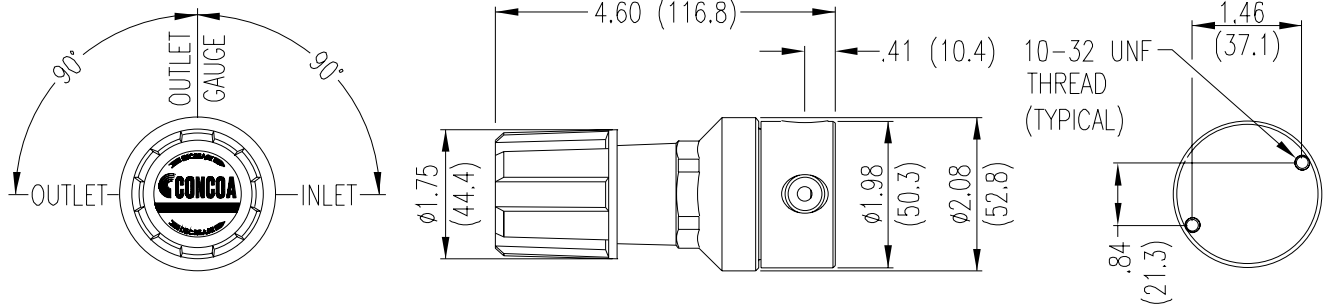
Weight (304 2021-000): 1.7 lbs. (0.8 kg)

Conformances: Cleanliness meets or exceeds CGA G-4.1; PED 2014/68/EU; ANSI/ASME B40.1; CRN OH5216

304 SERIES REGULATORS



Installation Dimensions



Ordering Information

304	A	B	C	D	-CON	Options	
Series 304	Outlet Pressure	Outlet Gauge	Inlet Gauge	Outlet Assemblies	Assembly Gauges	Inlet Connections	Installed Options
	1: 0-15 PSIG (0-1 BAR)	30 in -0-30 PSIG/ -1-0-2 BAR	0: None	0: 1/4 in FPT port	0: Bare body	000: 1/4 in FPT	M: Protocol station
	2: 0-50 PSIG (0-3.5 BAR)	30 in -0-100 PSIG/ -1-0-7 BAR		1: 1/4 in MPT	1: Standard assembly (PSIG/kPa gauges)	TF2: 1/8 in tube	Q: Protocol purge station
	3: 0-100 PSIG (0-7 BAR)	30 in -0-200 PSIG/ -1-0-14 BAR		2: 1/4 in tube fitting	2: Standard assembly (BAR/PSIG gauges)	TF4: 1/4 in tube	
	4: 0-250 PSIG (0-17 BAR)	0-400 PSIG/ 0-27 BAR		3: Diaphragm valve 1/4 in tube fitting		TF6: 3/8 in tube	
	5: 0-500 PSIG (0-34 BAR)	0-1000 PSIG/ 0-70 BAR		4: Diaphragm valve 1/4 in MPT		M06: 6 mm tube	
	7: 0-150 PSIG (0-10 BAR)	30 in -0-200 PSIG/ -1-0-14 BAR		5: Needle valve 1/4 in MPT			
				6: 1/8 in tube fitting			
				7: 3/8 in tube fitting			
				8: Diaphragm valve 1/8 in tube fitting			
				9: Diaphragm valve 1/4 in FPT			
				A: 3/8 in BSP RH fitting			
				B: Diaphragm valve 3/8 in tube fitting			
				C: 3/8 in BSP LH fitting			
				D: 6 mm brass hose barb (not available if A=4 or 5)			
				G: 1/8 in stainless steel tube fitting			
				H: 1/4 in stainless steel tube fitting			
				M: 6 mm tube fitting			
				S: Diaphragm valve 6 mm tube fitting			

Related Options

Part No.	Description
835 0204	Rear panel mount kit



Regulator Flow Curves

Flow Curves for 302, 304, 305, 307, 322, 324, 327, 401, 402, 408, 420, 422, 426, 427, 428, 429 Series

