

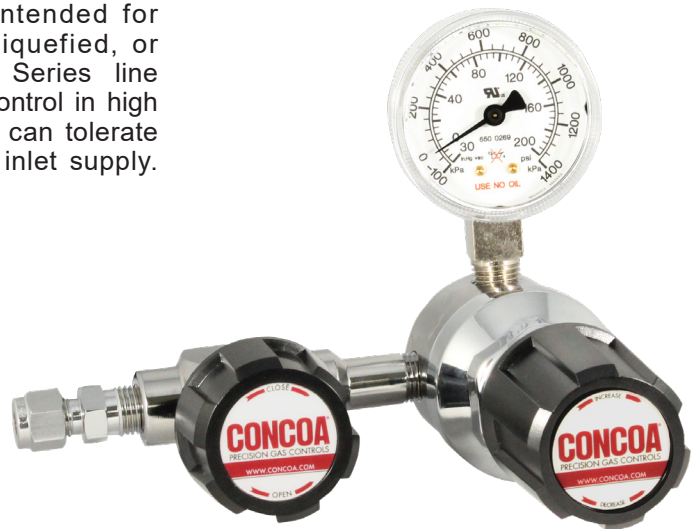
# 304 SERIES REGULATORS



The 304 Series single stage regulators are intended for secondary pressure control of non-corrosive, liquefied, or high purity (up to grade 5.5) gases. CONCOA 304 Series line regulators are also ideal for point-of-use pressure control in high purity gas distribution systems or applications that can tolerate fluctuations in outlet pressure due to diminishing inlet supply.

## Typical Applications

- Bulk Gas Distribution Systems
- Gas and Liquid Chromatography
- High Purity Carrier Gases
- Zero, Span, and Calibration Gases
- Liquefied Hydrocarbon Gas Control
- Control of Cryogenic Gases



3043031-01-000 shown

## Features

**CAPSULE® Seat** increases serviceability and life

**316L Stainless Steel Diaphragm** prevents inboard diffusion

**Low Wetted Surface Area** minimizes purge requirements

**Field-Adjustable Pressure Limit** safeguards downstream equipment

**Convoluted Diaphragm** provides smooth pressure changes

**Compact Design** permits easy transport and system integration

**Pressure Ranges 0-15 to 0-500 PSIG (0-1 to 0-34 BAR)** facilitates a broad range of applications

## Materials and Specifications

**Maximum Inlet Pressure (bare body):** 3000 PSIG (210 BAR)

**Body:** Chrome-plated brass barstock

**Bonnet:** Chrome-plated, die-cast zinc

**Gauges:** 2 in (50 mm) diameter plated case

**Seat:** PTFE

**Filter:** 10-micron sintered bronze

**Temperature Range:** -40°F to 140°F (-40°C to 60°C)

**Diaphragm:** 316L stainless steel

**Cv:** 0.1 See flow curves attached

**Helium Leak Integrity:**  $1 \times 10^{-8}$  scc/sec

**Internal Seals:** PTFE

**Ports (bare body):** 1/4 in FNPT

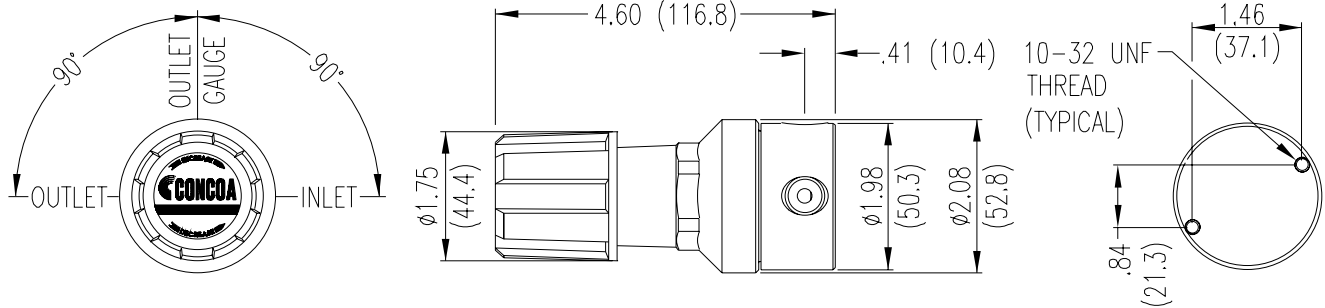
**Weight (304 2021-000):** 1.7 lbs. (0.8 kg)

**Conformances:** Cleanliness meets or exceeds CGA G-4.1; PED 2014/68/EU; ANSI/ASME B40.1; CRN OH5216

# 304 SERIES REGULATORS



## Installation Dimensions



## Ordering Information

304	A	B	C	D	-CON	Options	
Series 304	Outlet Pressure	Outlet Gauge	Inlet Gauge	Outlet Assemblies	Assembly Gauges	Inlet Connections	Installed Options
	<b>1:</b> 0-15 PSIG (0-1 BAR)	30 in -0-30 PSIG/ -1-0-2 BAR	<b>0:</b> None	<b>0:</b> 1/4 in FPT port	<b>0:</b> Bare body	<b>000:</b> 1/4 in FPT	<b>M:</b> Protocol station
	<b>2:</b> 0-50 PSIG (0-3.5 BAR)	30 in -0-100 PSIG/ -1-0-7 BAR		<b>1:</b> 1/4 in MPT	<b>1:</b> Standard assembly (PSIG/kPa gauges)	<b>TF2:</b> 1/8 in tube	<b>Q:</b> Protocol purge station
	<b>3:</b> 0-100 PSIG (0-7 BAR)	30 in -0-200 PSIG/ -1-0-14 BAR		<b>2:</b> 1/4 in tube fitting	<b>2:</b> Standard assembly (BAR/PSIG gauges)	<b>TF4:</b> 1/4 in tube	
	<b>4:</b> 0-250 PSIG (0-17 BAR)	0-400 PSIG/ 0-27 BAR		<b>3:</b> Diaphragm valve 1/4 in tube fitting		<b>TF6:</b> 3/8 in tube	
	<b>5:</b> 0-500 PSIG (0-34 BAR)	0-1000 PSIG/ 0-70 BAR		<b>4:</b> Diaphragm valve 1/4 in MPT		<b>M06:</b> 6 mm tube	
	<b>7:</b> 0-150 PSIG (0-10 BAR)	30 in -0-200 PSIG/ -1-0-14 BAR		<b>5:</b> Needle valve 1/4 in MPT			
				<b>6:</b> 1/8 in tube fitting			
				<b>7:</b> 3/8 in tube fitting			
				<b>8:</b> Diaphragm valve 1/8 in tube fitting			
				<b>9:</b> Diaphragm valve 1/4 in FPT			
				<b>A:</b> 3/8 in BSP RH fitting			
				<b>B:</b> Diaphragm valve 3/8 in tube fitting			
				<b>C:</b> 3/8 in BSP LH fitting			
				<b>D:</b> 6 mm brass hose barb (not available if A=4 or 5)			
				<b>G:</b> 1/8 in stainless steel tube fitting			
				<b>H:</b> 1/4 in stainless steel tube fitting			
				<b>M:</b> 6 mm tube fitting			
				<b>S:</b> Diaphragm valve 6 mm tube fitting			

## Related Options

Part No.	Description
835 0204	Rear panel mount kit



# Regulator Flow Curves

## Flow Curves for 302, 304, 305, 307, 322, 324, 327, 401, 402, 408, 420, 422, 426, 427, 428, 429 Series

