

324 SERIES REGULATORS



The 324 Series single stage regulators are intended for secondary pressure control of high purity purity (up to grade 5.5) and corrosive gases or as point-of-use pressure control in ultra-high purity gas distribution systems. While the 324 Series regulator may be used with mildly reactive gases, it is not for use with toxic or highly corrosive gases.

Typical Applications

- Gas and Liquid Chromotography
- Bulk Gas Distribution Systems
- Ultra-High Purity Carrier Gases
- Zero, Span, and Calibration Gases
- Liquified Hydrocarbon Gas Control
- Control of Cryogenic Gases



3243031-01-000 shown

Features

CAPSULE® Seat increases serviceability and life

316L Stainless Steel Diaphragm prevents inboard diffusion

Low Wetted Surface Area minimizes purge requirements

Field-Adjustable Pressure Limit safeguards downstream equipment

Convuluted Diaphragm provides smooth pressure changes

Compact Design permits easy transport and system integration

Rear Panel-Mountable allows easy installation

Pressure Ranges 0-15 to 0-500 PSIG (0-1 to 0-34 BAR) facilitates a broad range of applications

Materials and Specifications

Maximum Inlet Pressure (bare body): 3000 PSIG (210 BAR)

Body: 316L stainless steel barstock

Bonnet: Chrome-plated, die-cast zinc

Gauges: 2 in (50 mm) diameter stainless steel internals with plated case

Seat: PTFE

Filter: 10-micron 316 stainless steel mesh

Temperature Range: -40°F to 140°F (-40°C to 60°C)

Diaphragm: 316L stainless steel

Cv: 0.1 *See flow curves attached*

Helium Leak Integrity: 1×10^{-8} scc/sec

Internal Seals: PTFE

Ports (bare body): 1/4 in FPT

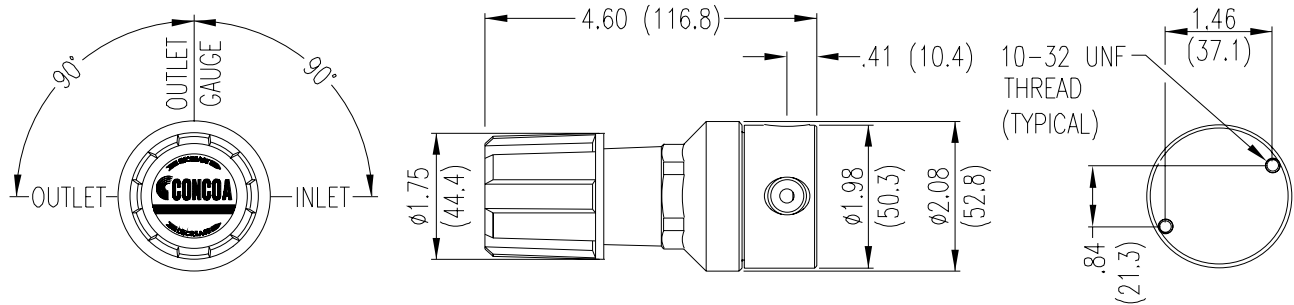
Weight (324 2021-000): 2.4 lbs (1.1 kg)

Conformances: Cleanliness meets or exceeds CGA G-4.1; PED 2014/68/EU; ANSI/ASME B40.1; CRN OH5216

324 SERIES REGULATORS



Installation Dimensions



Ordering Information

324	A	B	C	D	-CON	Options	
Series 324	Outlet Pressure	Outlet Gauge	Inlet Gauge	Outlet Assemblies	Assembly Gauges	Inlet Connections	Installed Options
	1: 0-15 PSIG (0-1 BAR)	30 in -0-30 PSIG/ -1-0-2 BAR	0: None	0: 1/4 in FPT port	0: Bare body	000: 1/4 in FPT	M: Protocol station
	2: 0-50 PSIG (0-3.5 BAR)	30 in -0-100 PSIG/ -1-0-7 BAR		1: 1/4 in MPT	1: Standard assembly (PSIG/kPa gauges)	TF2: 1/8 in tube	Q: Protocol purge station
	3: 0-100 PSIG (0-7 BAR)	30 in -0-200 PSIG/ -1-0-14 BAR		2: 1/4 in tube fitting	2: Standard assembly (BAR/PSIG gauges)	TF4: 1/4 in tube	
	4: 0-250 PSIG (0-17 BAR)	0-400 PSIG/ 0-27 BAR		3: Diaphragm valve 1/4 in tube fitting		TF6: 3/8 in tube	
	5: 0-500 PSIG (0-34 BAR)	0-1000 PSIG/ 0-70 BAR		4: Diaphragm valve 1/4 in MPT		M06: 6 mm tube	
	7: 0-150 PSIG (0-10 BAR)	30 in -0-200 PSIG/ -1-0-14 BAR		5: Needle valve 1/4 in MPT			
				6: 1/8 in tube fitting			
				7: 3/8 in tube fitting			
				8: Diaphragm valve 1/8 in tube fitting			
				9: Diaphragm valve 1/4 in FPT			
				M: 6 mm tube fitting			
				S: Diaphragm valve 6 mm tube fitting			

Related Options

Part No.	Description
835 0204	Rear panel mount kit



Regulator Flow Curves

Flow Curves for 302, 304, 305, 307, 322, 324, 327, 401, 402, 408, 420, 422, 426, 427, 428, 429 Series

