

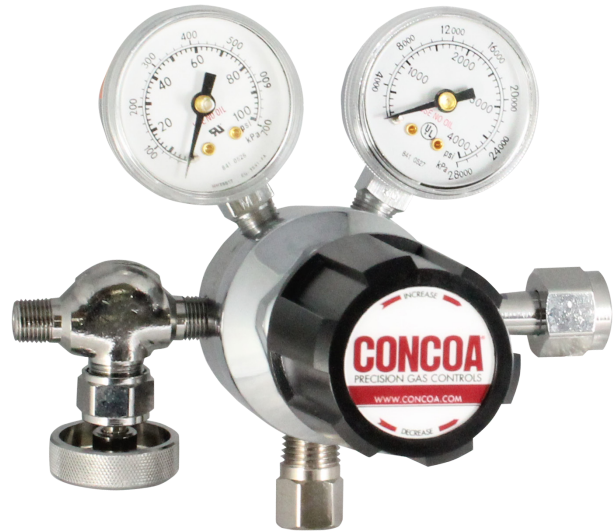
325 SERIES REGULATORS



The 325 Series single stage regulators are specifically designed for use with non-corrosive gases in lecture bottles. The incorporation of our smallest CAPSULE® allows excellent pressure regulation over the useful pressure range of a lecture bottle.

Typical Applications

- University Classrooms
- University Laboratories
- Chemical Research
- Pharmaceutical Manufacturing



325 3351-01-180 shown

Features

- CAPSULE® Seat** increases serviceability and life
- 316L Stainless Steel Diaphragm** prevents inboard diffusion
- Low Wetted Surface Area** minimizes purge requirements
- Field-Adjustable Pressure Limit** safeguards downstream equipment
- Convolute Diaphragm** provides smooth pressure changes
- Compact Design** permits easy transport and system integration
- Minimal Droop** yields stable outlet pressure as gas depletes

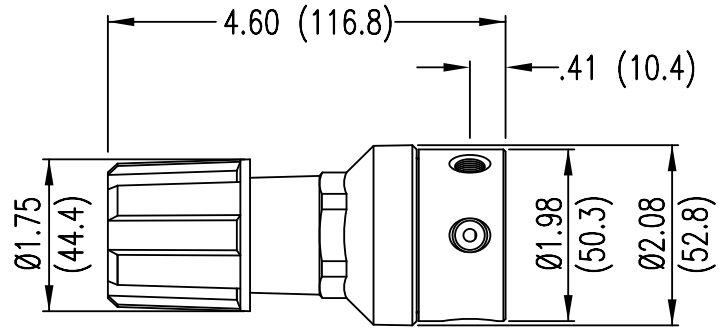
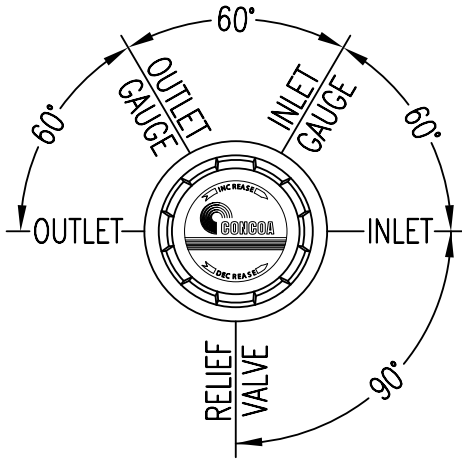
Materials and Specifications

- Maximum Inlet Pressure (bare body):** 3000 PSIG (210 BAR)
- Body:** Chrome-plated brass barstock
- Bonnet:** Chrome-plated die-cast zinc
- Gauges:** 1 1/2 in (38 mm) diameter plated case
- Seat:** PTFE
- Filter:** 10-micron sintered bronze
- Temperature Range:** -40°F to 140°F (-40°C to 60°C)
- Diaphragm:** 316L stainless steel
- Cv:** 0.02 *See flow curves attached*
- Helium Leak Integrity:** 1×10^{-8} scc/sec
- Internal Seals:** PTFE
- Ports (bare body):** 1/8 in FPT (inlet, outlet, and gauges) and 1/4 in FNPT (relief valve)
- Weight (325 3351-170):** 2.0 lbs. (0.9 kg)
- Conformances:** Cleanliness meets or exceeds CGA G-4.1; PED 2014/68/EU; ANSI/ASME B40.1; CRN OH5216

325 SERIES REGULATORS



Installation Dimensions



Ordering Information

325	A	B	C	D	-CON	Options	
Series 325	Outlet Pressure	Outlet Gauge	Inlet Gauge	Outlet Assemblies	Assembly Gauges	Inlet Connections	Installed Options
	1: 0-15 PSIG (0-1 BAR)	0-30 PSIG/ 0-2 BAR	0: None	0: 1/8 in FPT port	0: Bare body	-000: 1/8 in FPT	None
	3: 0-50 PSIG (0-3.5 BAR)	0-100 PSIG/ 0-7 BAR	3: 0-4000 PSIG/ 0-275 BAR	1: 1/4 in MPT	1: Standard assembly (PSI/kPa gauges)	-110: CGA 110	
				5: Needle valve 1/8 in MPT		-170: CGA 170	
						-180: CGA 180	

Regulator Flow Curves



Flow Curves for 325 Series

