

403 SERIES REGULATORS



The 403 Series regulators are intended for secondary pressure control of non-corrosive, ultra-high purity, or liquefied gases in high purity gas distribution systems. This single stage pressure regulator offers point-of-use pressure control in five different pressure delivery ranges, from 0-15 PSIG (0-2 BAR) to 0-500 PSIG (0-34 BAR). Unlike most pipeline equipment, the CONCOA 403 Series regulator is rated to full cylinder pressure to ensure safe use in the event of primary pressure control failure.

Typical Applications

- Bulk Gas Distribution Systems
- High Purity Carrier Gases
- Control of Cryogenic Gases
- Gas and Liquid Chromatography
- Zero, Span, and Calibration Gases
- High Purity Chamber Pressurization



403 2021-000 shown

Features

- Metal-to-Metal Diaphragm Seal** prevents gas contamination
- Chrome-plated Brass Barstock Body** provides enhanced corrosion resistance
- Cleanroom Assembly** eliminates contamination at installation
- Pipe Away Relief Valve** vents exhaust gases safely
- CAPSULE® Seat Design** features integral 360° filtration in both stages
- Pressure Ranges 0-15 to 0-500 PSIG (0-1 to 0-34 BAR)** accommodates a broad range of applications

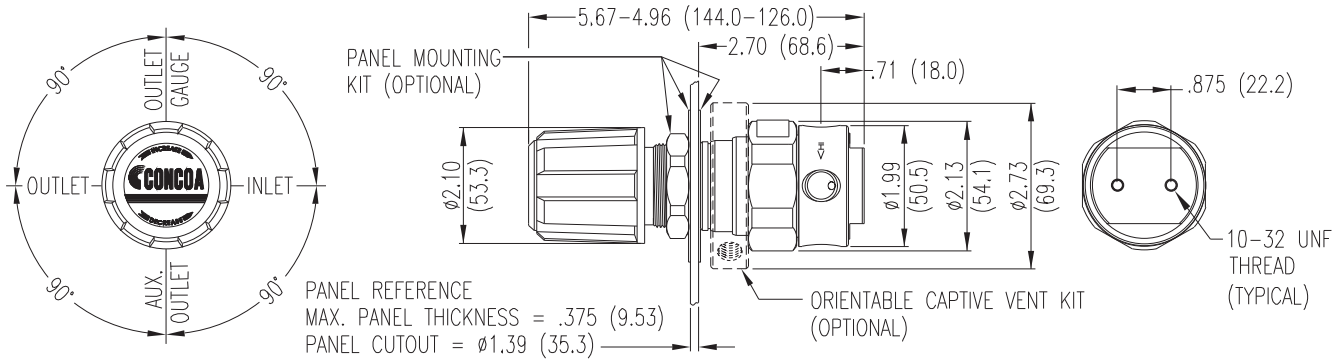
Materials and Specifications

- Maximum Inlet Pressure (bare body):** 3000 PSIG (210 BAR)
- Body:** Chrome-plated brass barstock
- Bonnet:** Chrome-plated barstock
- Gauge:** 2 in (50 mm) diameter plated case
- Seat:** PTFE
- Filter:** 10-micron sintered bronze
- Temperature Range:** -40°F to 140°F (-40°C to 60°C)
- Diaphragm:** 316L stainless steel
- Cv:** 0.1 Max outlet 50 PSIG (3.5 BAR) or below; 0.2 Max outlet above 50 PSIG (3.5 BAR) *See flow curves attached*
- Helium Leak Integrity:** 1×10^{-9} scc/sec
- Internal Seals:** PTFE
- Ports (bare body):** 1/4 in FNPT
- Weight (403 2021-000):** 3.99 lbs. (1.81 kg)
- Conformances:** Cleanliness meets or exceeds CGA G-4.1; PED 2014/68/EU; ANSI/ASME B40.1; CRN OH5216

403 SERIES REGULATORS



Installation Dimensions



Ordering Information

403	A	B	C	D	-CON	Options	
Series 403	Outlet Pressure	Outlet Gauge	Inlet Gauge	Outlet Assemblies	Assembly/Gauges	Inlet Connections	Installed Options
	1: 0-15 PSIG (0-1 BAR)	30"-0-30 PSIG/ -1-0-2 BAR	0: None	0: 1/4" FNPT port	0: Bare body	000: 1/4" FNPT	D: Deep purge
	2: 0-50 PSIG (0-3.5 BAR)	30"-0-100 PSIG/ -1-0-7 BAR		1: 1/4" MNPT	1: Cleanroom assembly (PSIG/kPa gauges)	TF2: 1/8" tube	M: Protocol station
	3: 0-100 PSIG (0-7 BAR)	30"-0-200 PSIG/ -1-0-14 BAR		2: 1/4" tube fitting	2: Cleanroom assembly (BAR/PSIG gauges)	TF4: 1/4" tube	Q: Protocol purge station
	4: 0-250 PSIG (0-17 BAR)	0-400 PSIG/ 0-27 BAR		3: Diaphragm valve 1/4" tube fitting	6: Mirror image (PSIG/kPa gauges)	TF6: 3/8" tube	
	5: 0-500 PSIG (0-34 BAR)**	0-1000 PSIG/ 0-70 BAR		4: Diaphragm valve 1/4" MNPT	7: Mirror image (BAR/PSIG gauges)	M06: 6mm tube	
	7: 0-150 PSIG (0-10 BAR)	30"-0-200 PSIG/ -1-0-14 BAR		5: Needle valve 1/4" MNPT			
	**Standard assembly does not include relief valve.						
				6: 1/8" tube fitting			
				7: 3/8" tube fitting			
				8: Diaphragm valve 1/8" fitting			
				9: Diaphragm valve 1/4" FNPT			
				A: 3/8" BSP RH fitting			
				B: Diaphragm valve 3/8" tube fitting			
				C: 3/8" BSP LH fitting			
				D: 6mm brass hose barb (Not available if A=4 or 5)			
				G: 1/8" stainless steel tube fitting			
				H: 1/4" stainless steel tube fitting			
				M: 6mm tube fitting			
				S: Diaphragm valve 6mm tube fitting			

Related Options

Part No.	Description
550 0001	Captured vent kit
550 0002	Panel mount kit
476 0002	Helium Leak certification

403 SERIES REGULATORS



Flow Curves for 403 Series

