

425 SERIES REGULATORS



The 425 Series, four-port, single stage regulators are intended for secondary pressure control of ultra-high purity and corrosive gases or as point-of-use pressure control in ultra-high purity gas distribution systems.

Typical Applications

- Bulk Gas Distribution Systems
- Gas and Liquid Chromatography
- Ultra-High Purity Carrier Gases
- Zero, Span, and Calibration Gases
- High Purity Chamber Pressurization
- Liquefied Hydrocarbon Gas Control
- Control of Cryogenic Gases
- Corrosive Gases



425 2021-01-000 shown

Features

- CAPSULE® Seat Design** features integral 360° filtration in both stages
- 316L Stainless Steel Barstock Body** provides increased corrosion resistance
- Cleanroom Assembly** eliminates contamination at installation
- Front and Rear Panel-Mountable** facilitates a variety of system configurations
- Metal-to-Metal Diaphragm Seal** prevents gas contamination
- Pipe Away Relief Valve** vents exhaust gases safely
- Pressure Ranges 0-15 to 0-500 PSIG (0-1 to 0-34 BAR)** accommodates a broad range of applications

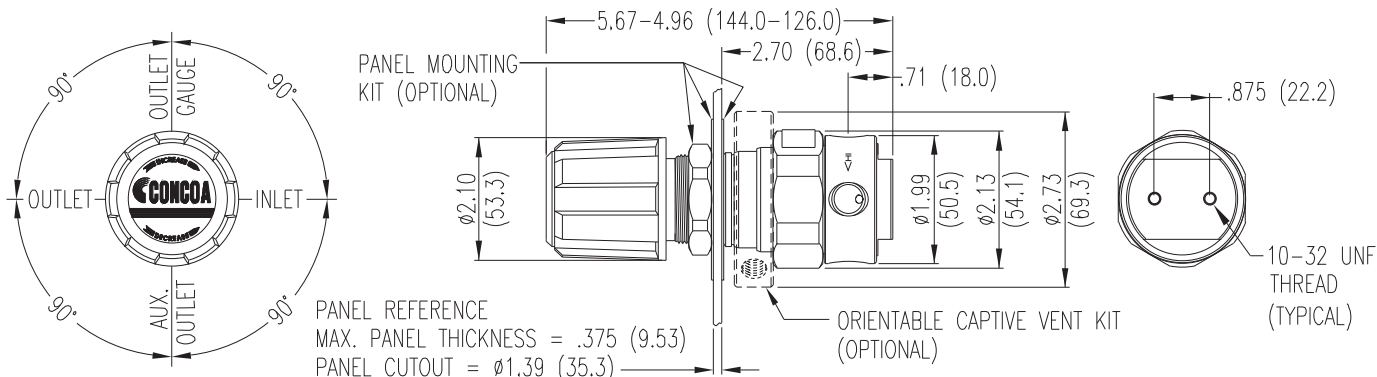
Materials and Specifications

- Maximum Inlet Pressure (bare body):** 3000 PSIG (210 BAR)
- Body:** 316L stainless steel barstock
- Bonnet:** Chrome-plated brass barstock
- Gauge:** 2 in (50 mm) diameter stainless steel
- Seat:** PTFE
- Filter:** 10-micron 316 stainless steel mesh
- Temperature Range:** -40°F to 140°F (-40°C to 60°C)
- Diaphragm:** 316L stainless steel
- Cv:** 0.1 Max outlet 50 PSIG (3.5 BAR) or less; 0.2 Max outlet above 50 PSIG (3.5 BAR) *See flow curves attached*
- Helium Leak Integrity:** 1×10^{-9} scc/sec
- Internal Seals:** PTFE
- Ports (bare body):** 1/4 in FNPT
- Weight (425 2021-000):** 2.58 lbs. (1.17 kg)
- Conformances:** Cleanliness meets or exceeds CGA G-4.1; PED 2014/68/EU; ANSI/ASME B40.1; CRN OH5216

425 SERIES REGULATORS



Installation Dimensions



Ordering Information

425	A	B	C	D	-CON	Options	
Series 425	Outlet Pressure	Outlet Gauge	Inlet Gauge	Outlet Assemblies	Assembly/Gauges	Inlet Connections	Installed Options
	1: 0-15 PSIG (0-1 BAR)	30"-0-30 PSIG/ -1-0-2 BAR	0: None	0: 1/4" FNPT Port	0: Bare body	000: 1/4" FNPT	M: Protocol station
	2: 0-50 PSIG (0-3.5 BAR)	30"-0-100 PSIG/ -1-0-7 BAR		1: 1/4" MNPT	1: Cleanroom Assembly (PSIG/kPa Gauges)	TF2: 1/8" tube	Q: Protocol purge station
	3: 0-100 PSIG (0-7 BAR)	30"-0-200 PSIG/ -1-0-14 BAR		2: 1/4" tube fitting	2: Cleanroom Assembly (BAR/PSIG Gauges)	TF4: 1/4" tube	S: Stainless steel bonnet
	4: 0-250 PSIG (0-17 BAR)	0-400 PSIG/ 0-27 BAR		3: Diaphragm valve 1/4" tube fitting	6: Mirror Image (PSIG/kPa Gauges)	TF6: 3/8" tube	
	5: 0-500 PSIG (0-34 BAR)**	0-1000 PSIG/ 0-70 BAR		4: Diaphragm valve 1/4" MNPT	7: Mirror Image (BAR/PSIG Gauges)	M06: 6mm tube	
	7: 0-150 PSIG (0-10 BAR)	30"-0-200 PSIG/ -1-0-14 BAR		5: Needle valve 1/4" MNPT			
				6: 1/8" tube fitting			
				7: 3/8" tube fitting			
				8: Diaphragm valve 1/8" tube fitting			
				9: Diaphragm valve 1/4" FNPT			
				M: 6mm tube fitting			
				S: Diaphragm valve 6mm tube fitting			

**Standard assembly does not include relief valve.*

Related Options

Part No.	Description
550 0001	Captured vent kit
550 0002	Panel mount kit
476 0002	Helium Leak certification

425 SERIES REGULATORS



Flow Curves for 425 Series

