

426 SERIES REGULATORS



The 426 Series single stage regulators are intended for secondary pressure control of ultra-high purity and corrosive gases or as point-of-use pressure control in ultra-high purity gas distribution systems.

Typical Applications

- Bulk Gas Distribution Systems
- Gas and Liquid Chromatography
- Ultra-High Purity Carrier Gases
- High Purity Chamber Pressurization
- Liquefied Hydrocarbon Gas Control
- Control of Cryogenic Gases
- Corrosive Gases



426 4831-01-000 shown

Features

- CAPSULE® Seat Design** features integral 360° filtration in both stages
- 316L Stainless Steel Barstock Body** provides increased corrosion resistance
- Cleanroom Assembly** eliminates contamination at installation
- Front and Rear Panel-Mountable** facilitates a variety of system configurations
- Metal-to-Metal Diaphragm Seal** prevents gas contamination
- 4500 PSIG (310 Bar) Inlet Pressure Rating** provides safe use with high pressure cylinders
- Pressure Ranges 0-15 to 0-500 PSIG (0-1 to 0-34 BAR)** accommodates a broad range of applications

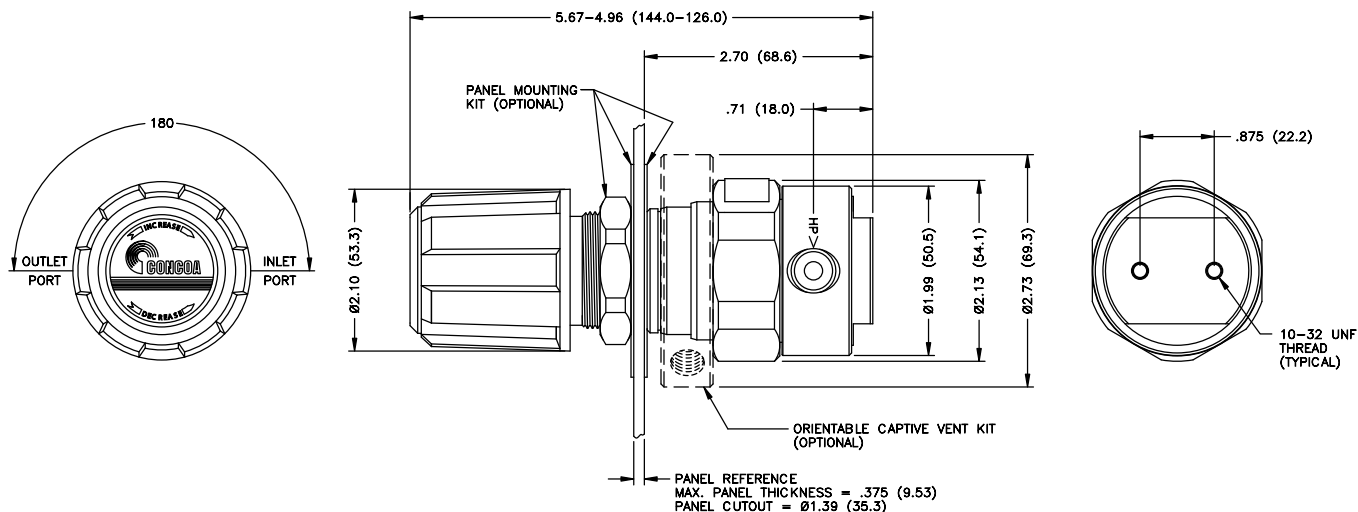
Materials and Specifications

- Maximum Inlet Pressure (bare body):** 4500 PSIG (310 BAR)
- Body:** 316L stainless steel barstock
- Bonnet:** Chrome-plated brass barstock
- Seat:** PCTFE
- Filter:** 10-micron 316 stainless steel mesh
- Temperature Range:** -40°F to 140°F (-40°C to 60°C)
- Diaphragm:** 316L stainless steel
- Cv:** 0.1 See *flow curves attached*
- Helium Leak Integrity:** 1×10^{-9} scc/sec
- Internal Seals:** PTFE
- Ports (bare body):** 1/4 in FNPT
- Weight (426 4831-000):** 2.2 lbs. (1.01 kg)
- Conformances:** Cleanliness meets or exceeds CGA G-4.1; PED 2014/68/EU; ANSI/ASME B40.1; CRN OH5216

426 SERIES REGULATORS



Installation Dimensions



Ordering Information

426	A	B	C	D	-CON	Options
Series 426	Outlet Pressure	Inlet Pressure	Outlet Assemblies	Assembly	Inlet Connections	Installed Options
	2: 0-50 PSIG (0-3.5 BAR)	8: 4500 PSIG (310 BAR)	0: 1/4" FNPT port	1: Cleanroom assembly	000: 1/4" FNPT	B: Protocol alarm station with pressure switch gauges
	3: 0-100 PSIG (0-7 BAR)		1: 1/4" MNPT		TF2: 1/8" tube	D: Deep purge*
	4: 0-250 PSIG (0-17 BAR)		2: 1/4" tube fitting		TF4: 1/4" tube	E: Protocol alarm station with intrinsically safe transducer for hazardous environments
	5: 0-500 PSIG (0-34 BAR)		3: Diaphragm valve 1/4" tube fitting		TF6: 3/8" tube	J: Protocol alarm station with standard transducer for non-hazardous environments
	7: 0-150 PSIG (0-10 BAR)		4: Diaphragm valve 1/4" MNPT		M06: 6mm tube	M: Protocol station
			5: Needle valve 1/4" MNPT		CGA DIN 477 BS 341 and others available.	*Only valid with 3000 PSIG cylinder inlet connections.
			6: 1/8" tube fitting			
			7: 3/8" tube fitting			
			8: Diaphragm valve 1/8" tube fitting			
			9: Diaphragm valve 1/4" FNPT			
			M: 6mm tube fitting			
			S: Diaphragm valve 6mm tube fitting			

Related Options

Part No.	Description
550 0001	Captured vent kit
550 0002	Panel mount kit
476 0002	Helium Leak certification

426 SERIES REGULATORS



Flow Curves for 426 Series

