

433 SERIES REGULATORS



The 433 Series regulators are intended for primary pressure control of ultra-high purity or corrosive gases in applications requiring constant pressure control and delivery regardless of supply pressure variations. The 433 Series regulator is similar to the 432 Series regulator but has a left side inlet and three low pressure and three high pressure ports.

Typical Applications

- EPA Protocol Gases
- Gas and Liquid Chromatography
- High Purity Carrier Gases
- Zero, Span, and Calibration Gases
- Ultra High Purity Chamber Pressurization
- Corrosive Gases



433 3331-01-580 shown

Features

CAPSULE® Seat Design features integral 360° filtration in both stages

316L Stainless Steel Diaphragm prevents inboard diffusion

Cleanroom Assembly eliminates contamination at installation

Front and Rear Panel-Mountable facilitates a variety of system configurations

Pipe Away Relief Valve vents exhaust gas safely

Metal-to-Metal Diaphragm Seal prevents gas contamination

Materials and Specifications

Maximum Inlet Pressure (bare body): 3000 PSIG (210 BAR) ; 3500 PSIG (240 BAR) optional; or 4500 PSIG (310 BAR) optional

Body: 316L Stainless steel barstock

Bonnet: Chrome-plated brass barstock

Gauges: 2 in (50 mm) diameter stainless steel

Seat: PCTFE (first stage); PTFE (second stage)

Filter: 10-micron 316L stainless steel mesh

Temperature Range: -40°F to 140°F (-40°C to 60°C)

Diaphragm: 316L stainless steel

Cv: 0.1 See *flow curves attached*

Helium Leak Integrity: 1×10^{-9} scc/sec

Internal Seals: PTFE

Ports (bare body): 1/4 in FNPT

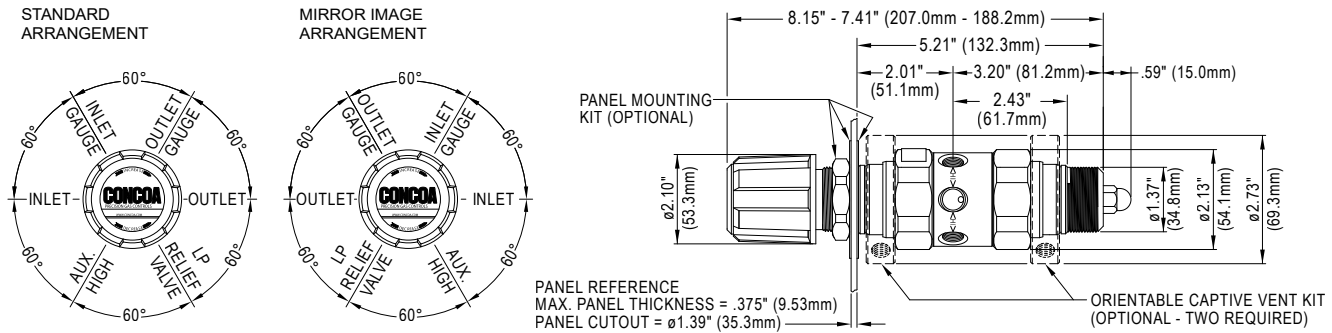
Weight (433 3331-580): 5.09 lbs. (2.31 kg)

Conformances: Cleanliness meets or exceeds CGA G-4.1; PED 2014/68/EU; ANSI/ASME B40.1; CRN OH5216

433 SERIES REGULATORS



Installation Dimensions



Ordering Information

433	A	B	C	D	-CON	Options	
Series 433	Outlet Pressure	Outlet Gauge	Inlet Gauge	Outlet Assemblies	Assembly/Gauges	Inlet Connections	Installed Options
	1: 0-15 PSIG (0-1 BAR)	30"-0-30 PSIG/ -1-0-2 BAR)	0: None	0: 1/4" FNPT port	0: Bare body	000: 1/4" FNPT	B: Protocol alarm station with pressure switch gauges
	2: 0-50 PSIG (0-3.5 BAR)	30"-0-100 PSIG/ -1-0-7 BAR)	3: 0-4000 PSIG/ 0-275 BAR)	1: 1/4" MNPT	1: Cleanroom assembly (PSIG/kPa gauges)	TF2: 1/8" tube	C: Protocol switchover station
	3: 0-100 PSIG (0-7 BAR)	30"-0-200 PSIG/ -1-0-14 BAR)	5: 0-1000 PSIG/ 0-70 BAR)	2: 1/4" tube fitting	2: Cleanroom assembly (BAR/PSIG gauges)	TF4: 1/4" tube	D: Deep purge*
	4: 0-250 PSIG (0-17 BAR)	0-400 PSIG/ 0-27 BAR)	6: 0-300 PSIG/ 0-21 BAR)	3: Diaphragm valve 1/4" tube fitting	6: Cleanroom assembly Mirror image (PSIG/kPa gauges)	TF6: 3/8" tube	E: Protocol alarm station with intrinsically safe transducer for hazardous environments
	7: 0-150 PSIG (0-10 BAR)	30"-0-200 PSIG/ -1-0-14 BAR)	7: 0-400 PSIG/ 0-27 BAR)	4: Diaphragm valve 1/4" MNPT	7: Cleanroom assembly Mirror image (BAR/PSIG gauges)	M06: 6mm tube	H: Protocol switchover alarm station with pressure switch gauges
	E: 0-350 PSIG (0-24 BAR)	0-400 PSIG/ 0-27 BAR)	8: 0-6000 PSIG/ 0-415 BAR*	5: Needle valve 1/4" MNPT		CGA DIN 477 BS 341 and others available.	J: Protocol alarm station with standard transducer for non-hazardous environments
		G: 0-4000 PSIG/ 0-275 BAR†	6: 1/8" tube fitting				K: Protocol switchover alarm station with standard transducer for non-hazardous environments
		<i>*Maximum inlet pressure 4500 PSIG (310 BAR) with PCTFE seat CAPSULE®.</i>	7: 3/8" tube fitting				M: Protocol station
		<i>†Maximum inlet pressure 3500 PSIG (240 BAR) with PCTFE seat CAPSULE.</i>	8: Diaphragm valve 1/8" tube fitting				Q: Protocol purge station*
			9: Diaphragm valve 1/4" FNPT				S: Stainless steel bonnet
			M: 6mm tube fitting				X: Protocol switchover alarm station with intrinsically safe transducer for hazardous environments
			S: Diaphragm valve 6mm tube fitting				<i>*Not available with 4500 PSIG (310 BAR) max inlet pressure.</i>

Related Options

Part No.	Description
550 0001	Captured vent kit (2 required)
550 0002	Panel mount kit
476 0002	Helium leak certification

433 SERIES REGULATORS



Flow Curves for 433 Series

