

483 SERIES REGULATORS



The 483 Series regulators provide pressure control in high flow inert gas applications. Internal pressure equalization mitigates the variation in delivery pressure from changing flows, which is typical in pipelines. Unlike most pipeline equipment, CONCOA line regulators are rated to full cylinder pressure to ensure safe use in the event of pressure control failure.

Typical Applications

- Bulk Gas Distribution Systems
- Gas and Liquid Chromatography
- High Purity Carrier Gases
- Zero, Span, and Calibration Gases
- High Purity Chamber Pressurization
- Liquefied Hydrocarbon Gas Control
- Control of Cryogenic Gases



483 2001-01-000 shown

Features

Balanced Stem Seat Design ensures constant delivery pressure
Pipe Away Relief Valve vents exhaust gases safely
Rear Panel-Mountable facilitates a variety of system configurations
Metal-to-metal Diaphragm Seal prevents gas contamination
Spectrometric Helium Leak Check verifies constant leak integrity

Materials and Specifications

Maximum Inlet Pressure (bare body): 3000 PSIG (210 BAR)

Body: Brass barstock

Bonnet: Chrome-plated, die cast zinc

Gauge: 2 in (50 mm) diameter brass

Seat: PCTFE

Filter: 40-micron 316L stainless steel mesh

Temperature Range: -40°F to 140°F (-40°C to 60°C)

Diaphragm: 316L stainless steel

Cv: 1.0 *See flow curves attached*

Helium Leak Integrity: 1×10^{-8} scc/sec

Internal Seals: PTFE

Ports (bare body): 1/2 in FNPT (inlet/outlet); 1/4 in FNPT (gauge and relief valve)

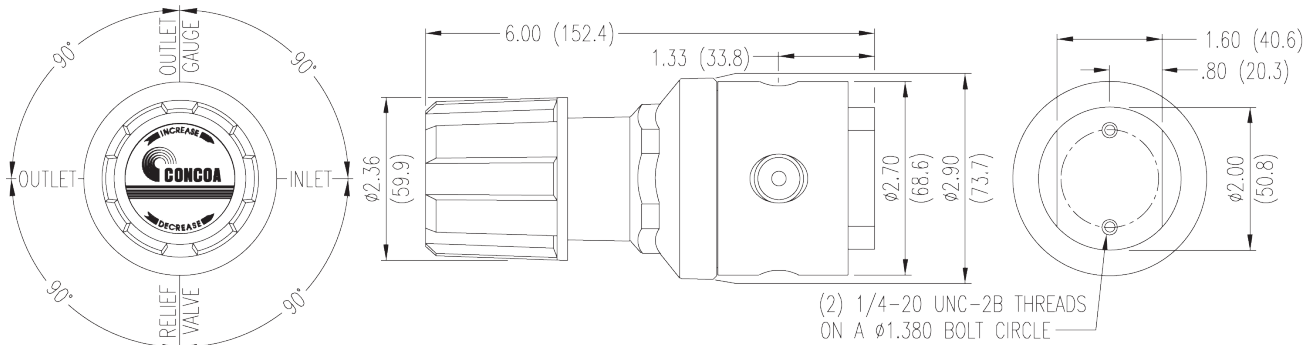
Weight (483 2001-000): 4.79 lbs. (2.17 kg)

Conformances: Cleanliness meets or exceeds CGA G-4.1; PED 2014/68/EU; ANSI/ASME B40.1; CRN OH5216

483 SERIES REGULATORS



Installation Dimensions



Ordering Information

Series	A	B	C	D	-CON	Installed Options	
483	Outlet Pressure	Outlet Gauge	Inlet Gauge	Outlet Assemblies	Assembly/Gauges	Inlet Connections	None
483	1: 0-15 PSIG (0-1 BAR)	30"-0-30 PSIG/ -1-0-2 BAR	0: None	0: 1/2" FNPT port	0: Bare body	000: 1/2" FNPT	
	2: 0-40 PSIG (0-3 BAR)	30"-0-60 PSIG/ -1-0-4 BAR		1: 1/2" tube fitting	1: Standard assembly (PSIG/kPa gauges)	TF8: 1/2" tube	
	3: 0-120 PSIG (0-8 BAR)	30"-0-200 PSIG/ -1-0-14 BAR		5: Needle valve 1/4" MNPT	2: Standard assembly (BAR/PSIG gauges)	M12: 12 mm tube	
	4: 0-200 PSIG (0-14 BAR)	0-400 PSIG/ 0-27 BAR		P: 12 mm tube fitting	6: Mirror image assembly (PSIG/kPa gauges)		
	5: 0-250 PSIG (0-17 BAR)	0-400 PSIG/ 0-27 BAR			7: Mirror image assembly (BAR/PSIG gauges)		

Related Options

Part No.	Description
835 0204	Panel Mount Kit for 300, 483, 484, 603, 605, and 5237 Series Regulators

483 SERIES REGULATORS



Flow Curves for 483 Series

