

# 484 SERIES REGULATORS



The 484 Series single stage regulator provides pressure control in a wide variety of high flow gas applications. Internal pressure equalization mitigates the delivery pressure variation from changing flows, which is typical in pipelines. Unlike most pipeline equipment, CONCOA line regulators are rated to full cylinder pressure to ensure safe use in the event of primary pressure control failure.

## Typical Applications

- Bulk Gas Distribution Systems
- Gas and Liquid Chromatography
- High Purity Carrier Gases
- Zero, Span, and Calibration Gases
- High Purity Chamber Pressurization
- Liquefied Hydrocarbon Gas Control
- Control of Cryogenic Gases
- Corrosive Gas Service



484 4006-01-000 shown

## Features

**PTFE Diaphragm Seal** eliminates possibility of gas contamination

**Low Wetted Surface Area** minimizes purge requirements

**Rear Panel-Mountable** facilitates a variety of system configurations

**ISOFLOW Technology** provides constant delivery pressure at high flows

**Pressure Ranges 0-15 to 0-250 PSIG (0-1 to 0-17 BAR)** facilitates a broad range of applications

## Materials and Specifications

**Maximum Inlet Pressure (bare body):** 3000 PSIG (210 BAR)

**Body:** 316L Stainless steel barstock

**Bonnet:** Chrome-plated, die cast zinc

**Gauge:** 2 in (50 mm) diameter stainless steel

**Seat:** PCTFE

**Filter:** 40-micron 316L stainless steel mesh

**Temperature Range:** -40°F to 140°F (-40°C to 60°C)

**Diaphragm:** 316L stainless steel

**Cv:** 1.0 See *flow curves attached*

**Helium Leak Integrity:**  $1 \times 10^{-8}$  scc/sec

**Internal Seals:** PTFE

**Ports (bare body):** 1/2 in FNPT (inlet/outlet); 1/4 in FNPT (gauge and relief valve)

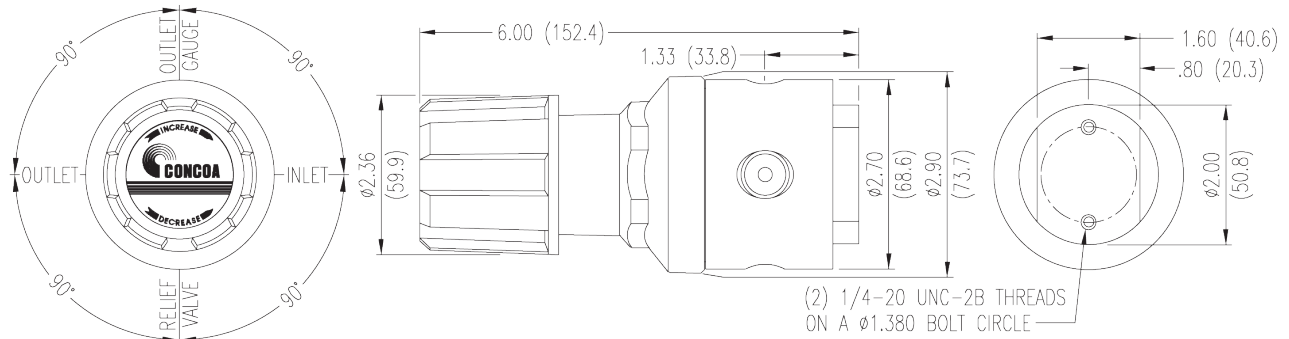
**Weight (484 4006-000):** 4.52 lbs. (2.05 kg)

**Conformances:** Cleanliness meets or exceeds CGA G-4.1; PED 2014/68/EU; ANSI/ASME B40.1; CRN OH5216

# 484 SERIES REGULATORS



## Installation Dimensions



## Ordering Information

484	A	B	C	D	-CON	Installed Options	
Series 484	Outlet Pressure	Outlet Gauge	Inlet Gauge	Outlet Assemblies	Assembly/Gauges	Inlet Connections	None
	1: 0-15 PSIG (0-1 BAR)	30"-0-30 PSIG/ -1-0-2 BAR	0: None	0: 1/2" FNPT port	0: Bare body	000: 1/2" FNPT	
	2: 0-40 PSIG (0-3 BAR)	30"-0-60 PSIG/ -1-0-4 BAR		1: 1/2" tube fitting	1: Standard assembly (PSIG/kPa gauges)	TF8: 1/2" tube	
	3: 0-120 PSIG (0-8 BAR)	30"-0-200 PSIG/ -1-0-14 BAR		5: Needle valve 1/4" MNPT	2: Standard assembly (BAR/PSIG gauges)	M12: 12mm tube	
	4: 0-200 PSIG (0-14 BAR)	0-400 PSIG/ 0-27 BAR		P: 12mm tube fitting	6: Mirror image assembly (PSIG/kPa gauges)		
	5: 0-250 PSIG (0-17 BAR)	0-400 PSIG/ 0-27 BAR			7: Mirror image assembly (BAR/PSIG gauges)		

## Related Options

Part No.	Description
835 0204	Panel Mount Kit for 300, 483, 484, 603, 605, and 5237 Series Regulators

# 484 SERIES REGULATORS



## Flow Curves for 484 Series

