

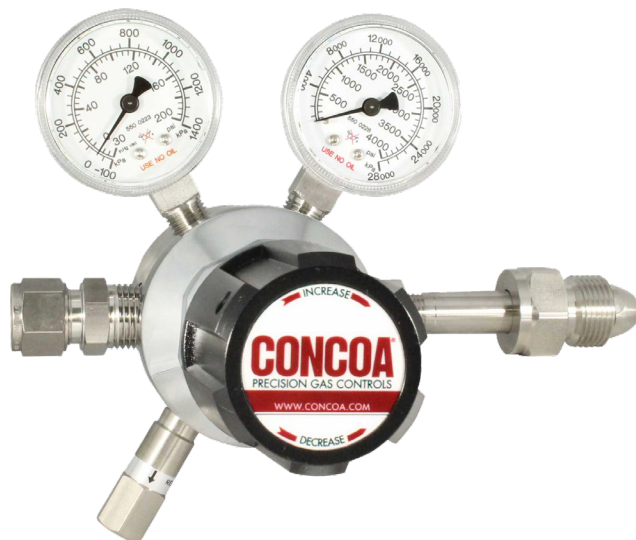
486 SERIES REGULATORS



The 486 Series single stage regulator provides primary source pressure control in high flow gas applications. Internal pressure equalization mitigates the delivery pressure variation from changing flows that are typical in pipelines. For system flexibility, the CONCOA 486 Series regulator is rear panel mountable or may be connected directly to the gas source via a flexible hose.

Typical Applications

- Bulk Gas Distribution Systems
- Gas and Liquid Chromatography
- High Purity Carrier Gases
- Zero, Span, and Calibration Gases
- High Purity Chamber Pressurization
- Liquefied Hydrocarbon Gas Control
- Control of Cryogenic Gases



486 33P1-01-580 shown

Features

ISOFLOW Technology provides constant delivery pressure at high flows

Low Wetted Surface Area minimizes purge requirements

Pipe Away Relief Valve vents exhaust gas safely

Rear Panel-Mount allows easy installation

Pressure Ranges 0-15 to 0-250 PSIG (0-1 to 0-17 BAR) serves a range of applications

Materials and Specifications

Maximum Inlet Pressure (bare body): 3000 PSIG (210 BAR)

Body: 316L Stainless steel barstock

Bonnet: Chrome-plated, die-cast zinc

Gauges: 2 in (50 mm) diameter brass

Seat: PCTFE

Filter: 40-micron 316L stainless steel mesh

Temperature Range: -40°F to 140°F (-40°C to 60°C)

Diaphragm: 316L stainless steel

Cv: 1.0 See *flow curves attached*

Helium Leak Integrity: 1×10^{-8} scc/sec

Internal Seals: PTFE

Ports (bare body): 1/2 in FNPT (inlet/outlet); 1/4 in FNPT (gauges, relief valve, and auxiliary inlet)

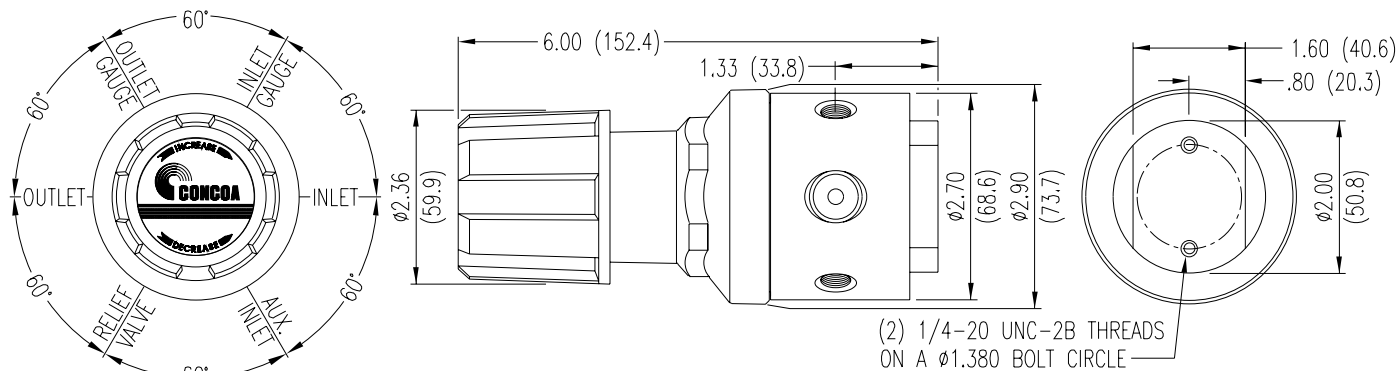
Weight (486 33P1-580): 5.06 lbs. (2.30 kg)

Conformances: Cleanliness meets or exceeds CGA G-4.1; PED 2014/68/EU; ANSI/ASME B40.1; CRN OH5216

486 SERIES REGULATORS



Installation Dimensions



Ordering Information

486	A	B	C	D	-CON	Options	
Series	Outlet Pressure	Outlet Gauge	Inlet Gauge	Outlet Assemblies	Assembly/Gauges	Inlet Connections	Installed Options
486	1: 0-15 PSIG (0-1 BAR)	30"-0-30 PSIG/ -1-0-2 BAR	0: None	0: 1/2" FNPT Port	0: Bare body	000: 1/2" FNPT	B: Protocol alarm station with pressure switch gauges
	2: 0-40 PSIG (0-3 BAR)	30"-0-60 PSIG/ -1-0-4 BAR	3: 0-4000 PSIG/ 0-275 BAR	1: 1/2" tube fitting	1: Standard assembly (PSIG/kPa gauges)	TF8: 1/2" tube	C: Protocol switchover station
	3: 0-120 PSIG (0-8 BAR)	30"-0-200 PSIG/ -1-0-14 BAR	5: 0-1000 PSIG/ 0-70 BAR	5: Needle valve 1/4" MNPT	2: Standard assembly (BAR/PSIG gauges)	M12: 12 mm tube	E: Protocol alarm station with intrinsically safe transducer for hazardous environments
	4: 0-200 PSIG (0-14 BAR)	0-400 PSIG/ 0-27 BAR	6: 0-400 PSIG/ 0-28 BAR	P: 12 mm tube fitting	6: Mirror image (PSIG/kPa gauges)	<i>CGA DIN 477 BS 341 and others available.</i>	H: Protocol switchover alarm station with pressure switch gauges
	5: 0-250 PSIG (0-17 BAR)	0-400 PSIG/ 0-27 BAR	7: 0-200 PSIG/ 0-14 BAR		7: Mirror image (BAR/PSIG gauges)		J: Protocol alarm station with standard transducer for non-hazardous environments
			9: 0-600 PSIG/ 0-42 BAR				K: Protocol switchover alarm station with standard transducer for non-hazardous environments
							M: Protocol station
							Q: Protocol purge station*
							X: Protocol switchover alarm station with intrinsically safe transducer for hazardous environments

*Not available with 4500 PSIG (310 BAR) max inlet pressure.

486 SERIES REGULATORS



Flow Curves for 486 Series

