

5E SERIES RECESSED WALL AND CEILING ENCLOSURE



CONCOA 5E Series recessed wall and ceiling enclosures provide attractive point-of-use pressure and flow control for life science, IVF, and analytical applications. Available with bore-through bulkhead fittings for inlet connections within the enclosure or with standard bulkhead fittings for inlet connections inside the wall or ceiling, the 5E Series boasts a variety of configurations for maximum installation flexibility, and custom enclosures, equipment, and colors are available upon request. Like all CONCOA point-of-use equipment, the 5E Series is functionally tested and spectrometrically leak checked to ensure suitability for high purity applications.



5E A211-01-211 shown

Typical Applications

- IVF Facilities
- Incubator Stacks
- Analytical Laboratory Applications
- Life Sciences Research

Features

Quarter-turn Diaphragm Valve permits gas flow control and positive shut-off

Modular, Custom Configured Design enables flexible installation and operation

High Purity Pressure Regulator and Valve Design maintains gas purity to point-of-use

Powder Coated Steel Enclosure provides tough protective layer that resists rust and corrosion

Optional Flange simplifies trim-out

Materials and Specifications

Maximum Inlet Pressure (bare body): 3000 PSIG (210 BAR)

Regulator and Valve Bodies: 316L stainless steel or chrome-plated brass barstock

Bonnet: Chrome-plated, die-cast zinc

Gauge: 2 in (50 mm) diameter plated case

Inlet/Outlet Connections: Stainless steel

Seats: PTFE (regulator); PCTFE (valve)

Filter: 10-micron 316 stainless steel mesh

Temperature Range: -40°F to 140°F (-40°C to 60°C)

Diaphragms: 316L stainless steel

Cv: 0.1

Helium Leak Integrity: 1×10^{-8} scc/sec

Internal Seals: PTFE

Enclosure: 18 AWG steel, powdered coated white

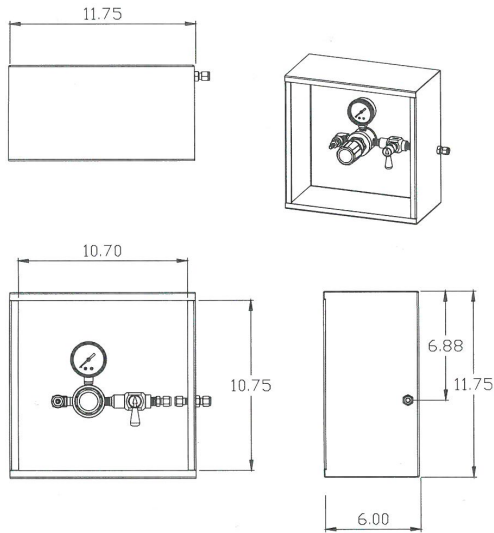
Conformances: Cleanliness meets or exceeds CGA G-4.1; ANSI/ASME B40.1; CRN OH5216

5E SERIES RECESSED WALL AND CEILING ENCLOSURE

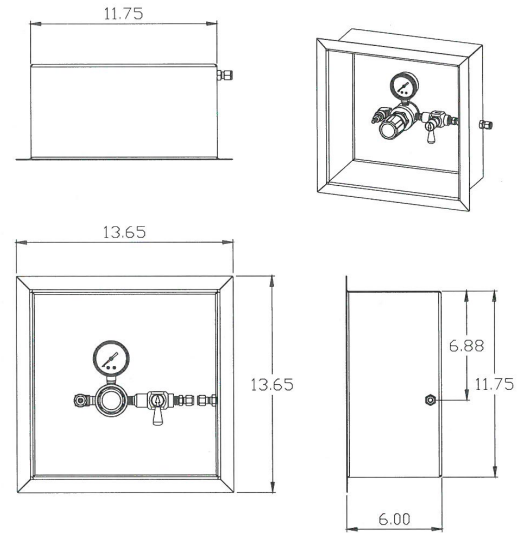


Installation Dimensions

Right inlet orientation (E=1) -- no flange (F=1)



Right inlet orientation (E=1) -- flange (F=2)



Ordering Information

5E	A	B	C	D	E	-01-	F	G	H
Series 5E	Regulator and Valve Material	Outlet Pressure	Outlet Gauge	Inlet	Outlet	Inlet Orientation	Trim Options	Color	Configuration
	C: Chrome-plated brass	1: 0-15 PSIG (0-1 BAR)	0-30 PSIG/ 0-200 kPa	1: 1/4" tube (bore-through bulkhead)	1: 1/4" FNPT	1: Right	1: No flange	1: White	1: Standard
	S: 316L stainless steel	A: 0-15 PSIG (0-1 BAR)	0-2 BAR/ 0-30 PSIG	2: 3/8" tube (bore-through bulkhead)	2: 1/4" MNPT	2: Left	2: Flange		
		3: 0-50 PSIG (0-3.5 BAR)	0-100 PSIG/ 0-700 kPa	3: 1/2" tube (bore-through bulkhead)	3: 1/8" tube	3: Top			
		C: 0-50 PSIG (0-3.5 BAR)	0-7 BAR/ 0-100 PSIG	4: 1/4" tube bulkhead	4: 1/4" tube	4: Bottom			
		4: 0-150 PSIG (0-10 BAR)	0-200 PSIG/ 0-1400 kPa	5: 3/8" tube bulkhead	5: 3/8" tube				
		D: 0-150 PSIG (0-10 BAR)	0-14 BAR/ 0-200 PSIG	6: 1/2" tube bulkhead	6: 1/4" hose barb				

5E SERIES RECESSED WALL AND CEILING ENCLOSURE



Flow Curves for 5E Series

